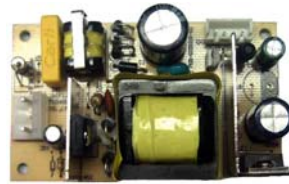


# Open Frame Switching Power Supply 18W Series

## UOB Series



### Product Highlights:

- ✓ Stability
- ✓ Ultra small size
- ✓ Energy efficiency

### Protection:

- ✓ Short circuit protection
- ✓ Over Voltage Protection
- ✓ Over Current Protection

### Efficiency:

- ✓ CEC Leve 5
- ✓ Energy Star 2.0

### Safety Approvals:

- ✓ UL60950
- ✓ CAN/CSA C22.2 NO. 60950
- ✓ CE (Low Voltage Directive)
- ✓ UL1310

### Emissions:

- ✓ CE CISPR 22 Class B
- ✓ VCCI Class B

### Immunity:

- ✓ EN55024/A1:2001
- ✓ Electrostatic discharge: 61000-4-2
- ✓ Radiated electromagnetic fields:61000-4-3
- ✓ Fast transients (Burst): 61000-4-4
- ✓ Surge transients: 61000-4-5
- ✓ Conducted disturbance: 61000-4-6
- ✓ Voltage dips, interruptions & Variations:61000-4-11

### Electrical Spec:

Absolute Maximum Rating

Input					
Description	Min	Typ	Max	Units	Comment
Voltage	90	120/240	264	VAC	2 Wire No Protection Ground
Frequency	47	50/60	63	Hz	

Environmental					
Description	Min	Typ	Max	Units	Comment
Operating Temperature	0	-	40	°C	Free Convection,Sea level
Non-Operating Temperture	-20	-	85	°C	Free Convection,Sea level
Operating Humidity	10	-	90	%RH	No Condensing
Non-Operating Humidity	10	-	90	%RH	No Condensing

Typical model list:

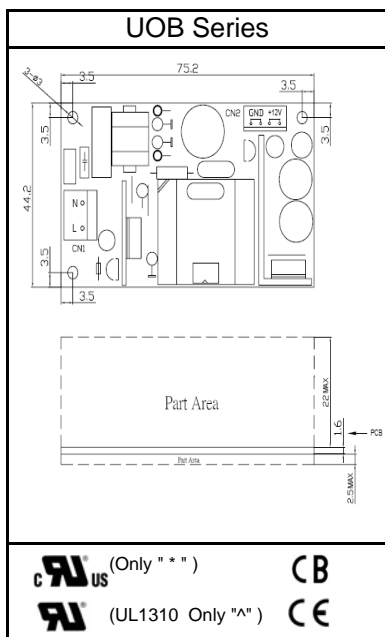
# Open Frame Switching Power Supply 18W Series

Input Condition	DC Output Voltage	DC Output Current	Output Voltage Precision	Ripple & Noises	Regulation		Option/Remark
					Line	Load	
1	3V	3.A	±5%	50mV	±1%	±5%	
2*	3.3V	3.0A	±5%	50mV	±1%	±5%	
3	3V	4.0A	±5%	50mV	±1%	±5%	
4	3.3V	4.0A	±5%	50mV	±1%	±5%	
5	5V	2.6A	±5%	50mV	±1%	±5%	
6	5V	3.0A	±5%	50mV	±1%	±5%	
7	6V	2.8A	±5%	60mV	±1%	±5%	
8	9V	2.0A	±5%	90mV	±1%	±5%	
9*	12V	1.25A	±5%	120mV	±1%	±5%	
10*	12V	1.5A	±5%	120mV	±1%	±5%	
11	15V	1.2A	±5%	150mV	±1%	±5%	
12^	24V	0.75A	±5%	240mV	±1%	±5%	
13	-	-	-	-	-	-	-

Measurement condition

1. Measurements shall be made with an oscilloscope with 20MHz bandwidth.
2. Outputs shall be bypassed at the connector with a 0.1uF ceramic disk capacitor and a 10uF electrolytic capacitor to simulate system loading

Mechanical Spec:



Packing Spec:

Type	Pcsper Carton	Gross Weight (kg)	Net Weihgt(kg)	Size(mm)	CBM(m2)	Container	Ctn/Contai ner	Pcs/Contai ner	Gross Weingt (Ton)	Remark
UOB318	64	6.3	4.8	406x250x298	1x1.2	20	800	51200	5280	Bulk package



Safety , Efficient & Earth friendly

# Open Frame Switching Power Supply 18W Series

## UOC Series



### Product Highlights:

- ✓ Stability
- ✓ Ultra small size
- ✓ Energy efficiency

### Protection:

- ✓ Short circuit protection
- ✓ Over Voltage Protection
- ✓ Over Current Protection

### Efficiency:

- ✓ CEC Leve 5
- ✓ Energy Star 2.0

### Safety Approvals:

- ✓ UL60950
- ✓ CAN/CSA C22.2 NO. 60950
- ✓ CE (Low Voltage Directive)
- ✓ UL1310

### Emissions:

- ✓ CE CISPR 22 Class B
- ✓ VCCI Class B

### Immunity:

- ✓ EN55024/A1:2001
- ✓ Electrostatic discharge: 61000-4-2
- ✓ Radiated electromagnetic fields:61000-4-3
- ✓ Fast transients (Burst): 61000-4-4
- ✓ Surge transients: 61000-4-5
- ✓ Conducted disturbance: 61000-4-6
- ✓ Voltage dips, interruptions & Variations:61000-4-11

### Electrical Spec:

Absolute Maximum Rating

Input					
Description	Min	Typ	Max	Units	Comment
Voltage	90	120/240	264	VAC	2 Wire No Protection Ground
Frequency	47	50/60	63	Hz	

Environmental					
Description	Min	Typ	Max	Units	Comment
Operating Temperature	0	-	40	°C	Free Convection,Sea level
Non-Operating Temperture	-20	-	85	°C	Free Convection,Sea level
Operating Humidity	10	-	90	%RH	No Condensing
Non-Operating Humidity	10	-	90	%RH	No Condensing

Typical model list:

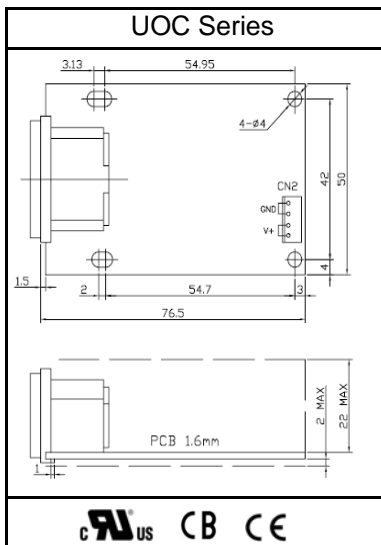
# Open Frame Switching Power Supply 18W Series

Input Condition	DC Output Voltage	DC Output Current	Output Voltage Precision	Ripple & Noises	Regulation		Option/Remark
					Line	Load	
1	3V	3.0A	±5%	50mV	±1%	±5%	
2	3.3V	3.0A	±5%	50mV	±1%	±5%	
3	5V	2.6A	±5%	50mV	±1%	±5%	
4	5V	3.0A	±5%	50mV	±1%	±5%	
5	6V	2.8A	±5%	60mV	±1%	±5%	
6	7V	2.5A	±5%	70mV	±1%	±5%	
7	9V	2.0A	±5%	90mV	±1%	±5%	
8	10V	1.8A	±5%	100mV	±1%	±5%	
9	12V	1.5A	±5%	120mV	±1%	±5%	
10	15V	1.2A	±5%	150mV	±1%	±5%	
11	24V	0.75A	±5%	240mV	±1%	±5%	
12	48V	0.4A	±5%	300mV	±1%	±5%	
13	-	-	-	-	-	-	-

Measurement condition

1. Measurements shall be made with an oscilloscope with 20MHz bandwidth.
2. Outputs shall be bypassed at the connector with a 0.1uF ceramic disk capacitor and a 10uF electrolytic capacitor to simulate system loading.

Mechanical Spec:



Packing Spec:

Type	Pcsper Carton	Gross Weight (kg)	Net Weihgt(kg)	Size(mm)	CBM(m2)	Container	Ctn/Contai ner	Pcs/Contai ner	Gross Weingt (Ton)	Remark
UOC318	64	4.7	3.2	406x250x298	1x1.2	20	800	51200	4000	Bulk package

## UOF Series



### Product Highlights:

- ✓ Stability
- ✓ Ultra small size
- ✓ Energy efficiency

### Protection:

- ✓ Short circuit protection
- ✓ Over Voltage Protection
- ✓ Over Current Protection

### Efficiency:

- ✓ CEC Leve 5
- ✓ Energy Star 2.0

### Emissions:

- ✓ CE CISPR 22 Class B
- ✓ VCCI Class B

### Immunity:

- ✓ EN55024/A1:2001
- ✓ Electrostatic discharge: 61000-4-2
- ✓ Radiated electromagnetic fields:61000-4-3
- ✓ Fast transients (Burst): 61000-4-4
- ✓ Surge transients: 61000-4-5
- ✓ Conducted disturbance: 61000-4-6
- ✓ Voltage dips, interruptions & Variations:61000-4-11

### Electrical Spec:

Absolute Maximum Rating

Input					
Description	Min	Typ	Max	Units	Comment
Voltage	90	120/240	264	VAC	2 Wire No Protection Ground
Frequency	47	50/60	63	Hz	

Environmental					
Description	Min	Typ	Max	Units	Comment
Operating Temperature	0	-	40	°C	Free Convection,Sea level
Non-Operating Temperture	-20	-	85	°C	Free Convection,Sea level
Operating Humidity	10	-	90	%RH	No Condensing
Non-Operating Humidity	10	-	90	%RH	No Condensing

Typical model list:

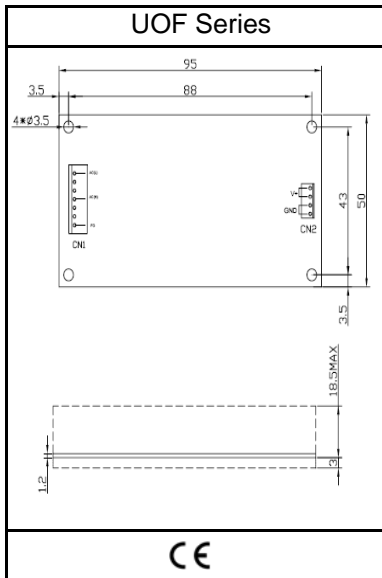
## Open Frame Switching Power Supply 18W Series

Input Condition	DC Output Voltage	DC Output Current	Output Voltage Precision	Ripple & Noises	Regulation		Option/Remark
					Line	Load	
1	3V	3.0A	±5%	50mV	±1%	±5%	
2	3.3V	3.0A	±5%	50mV	±1%	±5%	
3	5V	2.6A	±5%	50mV	±1%	±5%	
4	5V	3.0A	±5%	50mV	±1%	±5%	
5	6V	2.8A	±5%	60mV	±1%	±5%	
6	7V	2.5A	±5%	70mV	±1%	±5%	
7	9V	2.0A	±5%	90mV	±1%	±5%	
8	10V	1.8A	±5%	100mV	±1%	±5%	
9	12V	1.5A	±5%	120mV	±1%	±5%	
10	15V	1.2A	±5%	150mV	±1%	±5%	
11	24V	0.75A	±5%	240mV	±1%	±5%	
12	-	-	-	-	-	-	-

Measurement condition

1. Measurements shall be made with an oscilloscope with 20MHz bandwidth.
2. Outputs shall be bypassed at the connector with a 0.1uF ceramic disk capacitor and a 10uF electrolytic capacitor to simulate system loading.

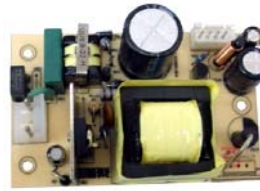
Mechanical Spec:



Packing Spec:

Type	Pcsper Carton	Gross Weight (kg)	Net Weihgt(kg)	Size(mm)	CBM(m2)	Container	Ctn/Contai ner	Pcs/Contai ner	Gross Weingt (Ton)	Remark
UOF318	64	7.46	5.76	406×250×298	1×1.2	20	800	51200	6048	Bulk package

## UOG Series



### Product Highlights:

- ✓ Stability
- ✓ Ultra small size
- ✓ Energy efficiency

### Protection:

- ✓ Short circuit protection
- ✓ Over Voltage Protection
- ✓ Over Current Protection

### Efficiency:

- ✓ CEC Leve 5
- ✓ Energy Star 2.0

### Emissions:

- ✓ CE CISPR 22 Class B
- ✓ VCCI Class B

### Immunity:

- ✓ EN55024/A1:2001
- ✓ Electrostatic discharge: 61000-4-2
- ✓ Radiated electromagnetic fields:61000-4-3
- ✓ Fast transients (Burst): 61000-4-4
- ✓ Surge transients: 61000-4-5
- ✓ Conducted disturbance: 61000-4-6
- ✓ Voltage dips, interruptions & Variations:61000-4-11

### Electrical Spec:

Absolute Maximum Rating

Input					
Description	Min	Typ	Max	Units	Comment
Voltage	90	120/240	264	VAC	2 Wire No Protection Ground
Frequency	47	50/60	63	Hz	

Environmental					
Description	Min	Typ	Max	Units	Comment
Operating Temperature	0	-	40	°C	Free Convection,Sea level
Non-Operating Temperture	-20	-	85	°C	Free Convection,Sea level
Operating Humidity	10	-	90	%RH	No Condensing
Non-Operating Humidity	10	-	90	%RH	No Condensing

Typical model list:

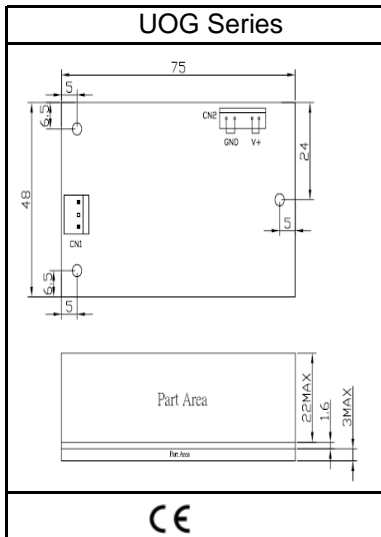
## Open Frame Switching Power Supply 18W Series

Input Condition	DC Output Voltage	DC Output Current	Output Voltage Precision	Ripple & Noises	Regulation		Option/Remark
					Line	Load	
1	3V	3.A	±5%	50mV	±1%	±5%	
2	3.3V	3.0A	±5%	50mV	±1%	±5%	
3	3V	4.0A	±5%	50mV	±1%	±5%	
4	3.3V	4.0A	±5%	50mV	±1%	±5%	
5	5V	2.6A	±5%	50mV	±1%	±5%	
6	5V	3.0A	±5%	50mV	±1%	±5%	
7	6V	2.8A	±5%	60mV	±1%	±5%	
8	9V	2.0A	±5%	90mV	±1%	±5%	
9	12V	1.5A	±5%	120mV	±1%	±5%	
10	15V	1.2A	±5%	150mV	±1%	±5%	
11	24V	0.75A	±5%	240mV	±1%	±5%	
12	-	-	-	-	-	-	-

Measurement condition

1. Measurements shall be made with an oscilloscope with 20MHz bandwidth.
2. Outputs shall be bypassed at the connector with a 0.1uF ceramic disk capacitor and a 10uF electrolytic capacitor to simulate system loading.

Mechanical Spec:



Packing Spec:

Type	Pcsper Carton	Gross Weight (kg)	Net Weihgt(kg)	Size(mm)	CBM(m2)	Container	Ctn/Contai ner	Pcs/Contai ner	Gross Weingt (Ton)	Remark
UOG318	64	6.62	5.12	406x250x298	1x1.2	20	800	51200	5536	Bulk package