



Safety , Efficient. & Earth friendly

Open Frame Switching Power Supply 15W Series

UOC Series



Product Highlights:

- ✓ Stability
- ✓ Ultra small size
- ✓ Energy efficiency

Protection:

- ✓ Short circuit protection
- ✓ Over Voltage Protection
- ✓ Over Current Protection

Efficiency:

- ✓ CEC Level 5
- ✓ Energy Star 2.0

Safety Approvals:

- ✓ UL60950
- ✓ CAN/CSA C22.2 NO. 60950
- ✓ CE (Low Voltage Directive)

Emissions:

- ✓ CE CISPR 22 Class B
- ✓ VCCI Class B

Immunity:

- ✓ EN55024/A1:2001
- ✓ Electrostatic discharge: 61000-4-2
- ✓ Radiated electromagnetic fields:61000-4-3
- ✓ Fast transients (Burst): 61000-4-4
- ✓ Surge transients: 61000-4-5
- ✓ Conducted disturbance: 61000-4-6
- ✓ Voltage dips, interruptions & Variations:61000-4-11

Electrical Spec:

Absolute Maximum Rating

Input					
Description	Min	Typ	Max	Units	Comment
Voltage	90	120/240	264	VAC	2 Wire No Protection Ground
Frequency	47	50/60	63	Hz	

Environmental					
Description	Min	Typ	Max	Units	Comment
Operating Temperature	0	-	40	°C	Free Convection,Sea level
Non-Operating Temperture	-20	-	85	°C	Free Convection,Sea level
Operating Humidity	10	-	90	%RH	No Condensing
Non-Operating Humidity	10	-	90	%RH	No Condensing

Typical model list:

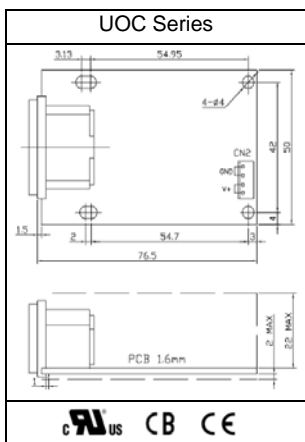
Open Frame Switching Power Supply 15W Series

Input Condition	DC Output Voltage	DC Output Current	Output Voltage Precision	Ripple & Noises	Regulation		Option/Remark
					Line	Load	
1	3V	2.5A	±5%	50mV	±1%	±5%	
2	3.3V	2.5A	±5%	50mV	±1%	±5%	
3	5V	2.5A	±5%	50mV	±1%	±5%	
4	6V	2.3A	±5%	60mV	±1%	±5%	
5	7.5V	2.0A	±5%	70mV	±1%	±5%	
6	9V	1.6A	±5%	90mV	±1%	±5%	
7	10V	1.5A	±5%	100mV	±1%	±5%	
8	12V	1.25A	±5%	120mV	±1%	±5%	
9	15V	1.0A	±5%	150mV	±1%	±5%	
10	24V	0.65A	±5%	240mV	±1%	±5%	
11	48V	0.3A	±5%	300mV	±1%	±5%	
12	-	-	-	-	-	-	-

Measurement condition

1. Measurements shall be made with an oscilloscope with 20MHz bandwidth.
2. Outputs shall be bypassed at the connector with a 0.1uF ceramic disk capacitor and a 10uF electrolytic capacitor to simulate system loading.

Mechanical Spec:



Packing Spec:

Type	Pcsper Carton	Gross Weight (kg)	Net Weight(kg)	Size(mm)	CBM(m2)	Container	Ctn/Container	Pcs/Container	Gross Weight (Ton)	Remark
UOC315	64	4.7	3.2	406x250x298	1x1.2	20	800	51200	4000	Bulk package

UOF Series



Product Highlights:

- ✓ Stability
- ✓ Ultra small size
- ✓ Energy efficiency

Protection:

- ✓ Short circuit protection
- ✓ Over Voltage Protection
- ✓ Over Current Protection

Efficiency:

- ✓ CEC Leve 5
- ✓ Energy Star 2.0

Emissions:

- ✓ CE CISPR 22 Class B
- ✓ VCCI Class B

Immunity:

- ✓ EN55024/A1:2001
- ✓ Electrostatic discharge: 61000-4-2
- ✓ Radiated electromagnetic fields:61000-4-3
- ✓ Fast transients (Burst): 61000-4-4
- ✓ Surge transients: 61000-4-5
- ✓ Conducted disturbance: 61000-4-6
- ✓ Voltage dips, interruptions & Variations:61000-4-11

Electrical Spec:

Absolute Maximum Rating

Input					
Description	Min	Typ	Max	Units	Comment
Voltage	90	120/240	264	VAC	2 Wire No Protection Ground
Frequency	47	50/60	63	Hz	

Environmental					
Description	Min	Typ	Max	Units	Comment
Operating Temperature	0	-	40	°C	Free Convection,Sea level
Non-Operating Temperture	-20	-	85	°C	Free Convection,Sea level
Operating Humidity	10	-	90	%RH	No Condensing
Non-Operating Humidity	10	-	90	%RH	No Condensing

Typical model list:

Open Frame Switching Power Supply 15W Series

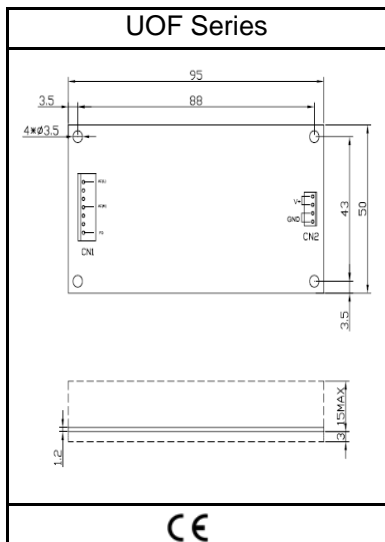
Input Condition		DC Output Voltage	DC Output Current	Output Voltage Precision	Ripple & Noises	Regulation		Option/Remark
						Line	Load	
	1	3V	2.5A	±5%	50mV	±1%	±5%	
	2	3.3V	2.5A	±5%	50mV	±1%	±5%	
	3	5V	2.5A	±5%	50mV	±1%	±5%	
	4	6V	2.3A	±5%	60mV	±1%	±5%	
	5	7.5V	2.0A	±5%	70mV	±1%	±5%	
	6	9V	1.6A	±5%	90mV	±1%	±5%	
	7	10V	1.5A	±5%	100mV	±1%	±5%	
	8	12V	1.25A	±5%	120mV	±1%	±5%	
	9	15V	1.0A	±5%	150Mv	±1%	±5%	
	10	24V	0.65A	±5%	240mV	±1%	±5%	
	11	-	-	-	-	-	-	-

Measurement condition

1. Measurements shall be made with an oscilloscope with 20MHz bandwidth.

2. Outputs shall be bypassed at the connector with a 0.1uF ceramic disk capacitor and a 10uF electrolytic capacitor to simulate system loading.

Mechanical Spec:



Packing Spec:

Type	Pcsper Carton	Gross Weight (kg)	Net Weihgt(kg)	Size(mm)	CBM(m2)	Container	Ctn/Contai ner	Pcs/Contai ner	Gross Weingt (Ton)	Remark
UOF315	64	7.26	5.76	406x250x298	1x1.2	20	800	51200	6048	Bulk package