



Safety , Efficient & Earth friendly

Open Frame Switching Power Supply 12W Series

UOB Series



Product Highlights:

- ✓ Stability
- ✓ Ultra small size
- ✓ Energy efficiency

Protection:

- ✓ Short circuit protection
- ✓ Over Voltage Protection
- ✓ Over Current Protection

Efficiency:

- ✓ CEC Level 5
- ✓ Energy Star 2.0

Safety Approvals:

- ✓ UL60950
- ✓ CAN/CSA C22.2 NO. 60950
- ✓ CE (Low Voltage Directive)

Emissions:

- ✓ CE CISPR 22 Class B
- ✓ VCCI Class B

Immunity:

- ✓ EN55024/A1:2001
- ✓ Electrostatic discharge: 61000-4-2
- ✓ Radiated electromagnetic fields:61000-4-3
- ✓ Fast transients (Burst): 61000-4-4
- ✓ Surge transients: 61000-4-5
- ✓ Conducted disturbance: 61000-4-6
- ✓ Voltage dips, interruptions & Variations:61000-4-11

Electrical Spec:

Absolute Maximum Rating

Input					
Description	Min	Typ	Max	Units	Comment
Voltage	90	120/240	264	VAC	2 Wire No Protection Ground
Frequency	47	50/60	63	Hz	

Environmental					
Description	Min	Typ	Max	Units	Comment
Operating Temperature	0	-	40	°C	Free Convection,Sea level
Non-Operating Temperture	-20	-	85	°C	Free Convection,Sea level
Operating Humidity	10	-	90	%RH	No Condensing
Non-Operating Humidity	10	-	90	%RH	No Condensing

Typical model list:

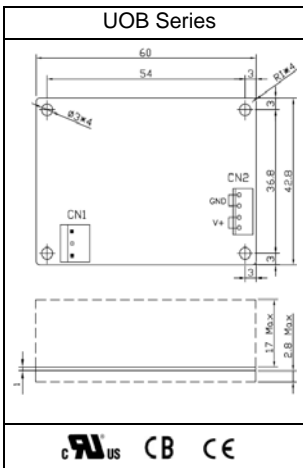
Open Frame Switching Power Supply 12W Series

Input Condition	DC Output Voltage	DC Output Current	Output Voltage Precision	Ripple & Noises	Regulation		Option/Remark
					Line	Load	
1	3V	2.0A	±5%	50mV	±1%	±5%	
2	3.3V	2.0A	±5%	50mV	±1%	±5%	
3	5V	2.0A	±5%	50mV	±1%	±5%	
4	7.5V	1.3A	±5%	70mV	±1%	±5%	
5	9V	1.1A	±5%	90mV	±1%	±5%	
6	12V	1.0A	±5%	120mV	±1%	±5%	
7	15V	0.7A	±5%	150mV	±1%	±5%	
8	18V	0.6A	±5%	180mV	±1%	±5%	
9	24V	0.5A	±5%	240mV	±1%	±5%	
10	-	-	-	-	-	-	-

Measurement condition

1. Measurements shall be made with an oscilloscope with 20MHz bandwidth.
2. Outputs shall be bypassed at the connector with a 0.1uF ceramic disk capacitor and a 10uF electrolytic capacitor to simulate system loading.

Mechanical Spec:



Packing Spec:

Type	Pcsper Carton	Gross Weight (kg)	Net Weight(kg)	Size(mm)	CBM(m2)	Container	Ctn/Container	Pcs/Container	Gross Weight (Ton)	Remark
UOB310	180	8.7	7.2	406x250x298	1x1.2	20	800	144000	7200	Bulk package

Open Frame Switching Power Supply 12W Series

UNB Series



Product Highlights:

- ✓ Stability
- ✓ Ultra small size
- ✓ Energy efficiency

Protection:

- ✓ Short circuit protection
- ✓ Over Voltage Protection
- ✓ Over Current Protection

Efficiency:

- ✓ CEC Level 5
- ✓ Energy Star 2.0

Emissions:

- ✓ CE CISPR 22 Class B
- ✓ VCCI Class B

Immunity:

- ✓ EN55024/A1:2001
- ✓ Electrostatic discharge: 61000-4-2
- ✓ Radiated electromagnetic fields:61000-4-3
- ✓ Fast transients (Burst): 61000-4-4
- ✓ Surge transients: 61000-4-5
- ✓ Conducted disturbance: 61000-4-6
- ✓ Voltage dips, interruptions & Variations:61000-4-11

Electrical Spec:

Absolute Maximum Rating

Input					
Description	Min	Typ	Max	Units	Comment
Voltage	90	120/240	264	VAC	2 Wire No Protection Ground
Frequency	47	50/60	63	Hz	

Environmental					
Description	Min	Typ	Max	Units	Comment
Operating Temperature	0	-	40	°C	Free Convection,Sea level
Non-Operating Temperture	-20	-	85	°C	Free Convection,Sea level
Operating Humidity	10	-	90	%RH	No Condensing
Non-Operating Humidity	10	-	90	%RH	No Condensing

Typical model list:

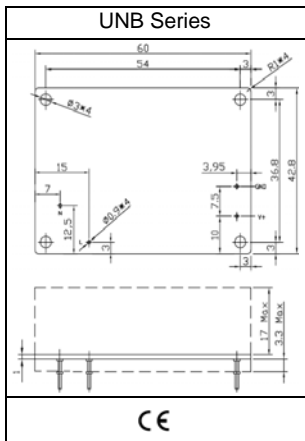
Open Frame Switching Power Supply 12W Series

Input Condition	DC Output Voltage	DC Output Current	Output Voltage Precision	Ripple & Noises	Regulation		Option/Remark
					Line	Load	
1	3V	2.0A	±5%	50mV	±1%	±5%	
2	3.3V	2.0A	±5%	50mV	±1%	±5%	
3	5V	2.0A	±5%	50mV	±1%	±5%	
4	7.5V	1.3A	±5%	70mV	±1%	±5%	
5	9V	1.1A	±5%	90mV	±1%	±5%	
6	12V	1.0A	±5%	120mV	±1%	±5%	
7	15V	0.7A	±5%	150mV	±1%	±5%	
8	18V	0.6A	±5%	180mV	±1%	±5%	
9	24V	0.5A	±5%	240mV	±1%	±5%	
10	-	-	-	-	-	-	-

Measurement condition

1. Measurements shall be made with an oscilloscope with 20MHz bandwidth.
2. Outputs shall be bypassed at the connector with a 0.1uF ceramic disk capacitor and a 10uF electrolytic capacitor to simulate system loading.

Mechanical Spec:



Packing Spec:

Type	Pcsper Carton	Gross Weight (kg)	Net Weight(kg)	Size(mm)	CBM(m2)	Container	Ctn/Container	Pcs/Container	Gross Weingt (Ton)	Remark
UNB310	180	8.7	7.2	406x250x298	1x1.2	20	800	144000	7200	Bulk package

Open Frame Switching Power Supply 12W Series

UOC Series



Product Highlights:

- ✓ Stability
- ✓ Ultra small size
- ✓ Energy efficiency

Protection:

- ✓ Short circuit protection
- ✓ Over Voltage Protection
- ✓ Over Current Protection

Efficiency:

- ✓ CEC Leve 5
- ✓ Energy Star 2.0

Safety Approvals:

- ✓ UL60950
- ✓ CAN/CSA C22.2 NO. 60950
- ✓ CE (Low Voltage Directive)

Emissions:

- ✓ CE CISPR 22 Class B
- ✓ VCCI Class B

Immunity:

- ✓ EN55024/A1:2001
- ✓ Electrostatic discharge: 61000-4-2
- ✓ Radiated electromagnetic fields:61000-4-3
- ✓ Fast transients (Burst): 61000-4-4
- ✓ Surge transients: 61000-4-5
- ✓ Conducted disturbance: 61000-4-6
- ✓ Voltage dips, interruptions & Variations:61000-4-11

Electrical Spec:

Absolute Maximum Rating

Input					
Description	Min	Typ	Max	Units	Comment
Voltage	90	120/240	264	VAC	2 Wire No Protection Ground
Frequency	47	50/60	63	Hz	

Environmental					
Description	Min	Typ	Max	Units	Comment
Operating Temperature	0	-	40	°C	Free Convection,Sea level
Non-Operating Temperture	-20	-	85	°C	Free Convection,Sea level
Operating Humidity	10	-	90	%RH	No Condensing
Non-Operating Humidity	10	-	90	%RH	No Condensing

Typical model list:

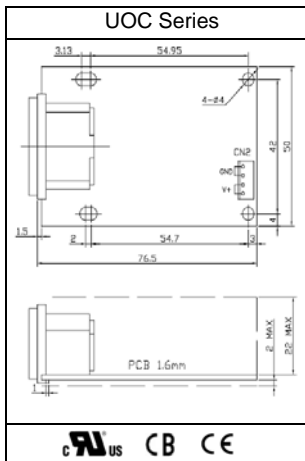
Open Frame Switching Power Supply 12W Series

Input Condition	DC Output Voltage	DC Output Current	Output Voltage Precision	Ripple & Noises	Regulation		Option/Remark
					Line	Load	
1	3V	2.0A	±5%	50mV	±1%	±5%	
2	3.3V	2.0A	±5%	50mV	±1%	±5%	
3	5V	2.0A	±5%	50mV	±1%	±5%	
4	5V	2.3A	±5%	50mV	±1%	±5%	
5	5.5V	2.0A	±5%	50mV	±1%	±5%	
6	6V	2.0A	±5%	60mV	±1%	±5%	
7	7.0V	1.4A	±5%	70mV	±1%	±5%	
8	7.0V	1.6A	±5%	70mV	±1%	±5%	
9	7.5V	1.6A	±5%	70mV	±1%	±5%	
10	8V	1.0A	±5%	80mV	±1%	±5%	
11	9V	1.3A	±5%	90mV	±1%	±5%	
12	10V	1.1A	±5%	100mV	±1%	±5%	
13	12V	0.8A	±5%	120mV	±1%	±5%	
14	12V	1.0A	±5%	120mV	±1%	±5%	
15	15V	0.8A	±5%	150mV	±1%	±5%	
16	24V	0.5A	±5%	240mV	±1%	±5%	
17	-	-	-	-	-	-	-

Measurement condition

1. Measurements shall be made with an oscilloscope with 20MHz bandwidth.
2. Outputs shall be bypassed at the connector with a 0.1uF ceramic disk capacitor and a 10uF electrolytic capacitor to simulate system loading.

Mechanical Spec:



Packing Spec:

Type	Pcsper Carton	Gross Weight (kg)	Net Weihgt(kg)	Size(mm)	CBM(m2)	Container	Ctn/Contai ner	Pcs/Contai ner	Gross Weingt (Ton)	Remark
UOC312	64	4.7	3.2	406x250x298	1x1.2	20	800	51200	4000	Bulk package

UOF Series



Product Highlights:

- ✓ Stability
- ✓ Ultra small size
- ✓ Energy efficiency

Protection:

- ✓ Short circuit protection
- ✓ Over Voltage Protection
- ✓ Over Current Protection

Efficiency:

- ✓ CEC Leve 5
- ✓ Energy Star 2.0

Emissions:

- ✓ CE CISPR 22 Class B
- ✓ VCCI Class B

Immunity:

- ✓ EN55024/A1:2001
- ✓ Electrostatic discharge: 61000-4-2
- ✓ Radiated electromagnetic fields:61000-4-3
- ✓ Fast transients (Burst): 61000-4-4
- ✓ Surge transients: 61000-4-5
- ✓ Conducted disturbance: 61000-4-6
- ✓ Voltage dips, interruptions & Variations:61000-4-11

Electrical Spec:

Absolute Maximum Rating

Input					
Description	Min	Typ	Max	Units	Comment
Voltage	90	120/240	264	VAC	2 Wire No Protection Ground
Frequency	47	50/60	63	Hz	

Environmental					
Description	Min	Typ	Max	Units	Comment
Operating Temperature	0	-	40	°C	Free Convection,Sea level
Non-Operating Temperture	-20	-	85	°C	Free Convection,Sea level
Operating Humidity	10	-	90	%RH	No Condensing
Non-Operating Humidity	10	-	90	%RH	No Condensing

Typical model list:

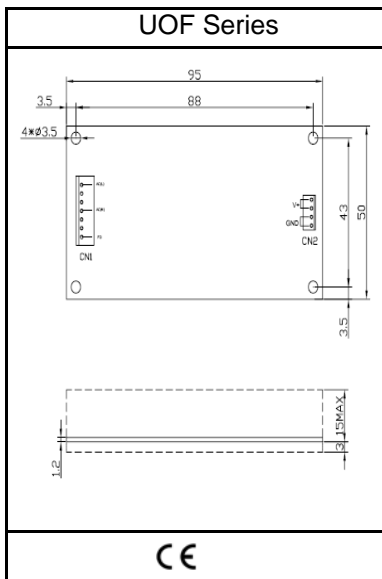
Open Frame Switching Power Supply 12W Series

Input Condition	DC Output Voltage	DC Output Current	Output Voltage Precision	Ripple & Noises	Regulation		Option/Remark
					Line	Load	
1	3V	2.0A	±5%	50mV	±1%	±5%	
2	3.3V	2.0A	±5%	50mV	±1%	±5%	
3	5V	2.0A	±5%	50mV	±1%	±5%	
4	5V	2.3A	±5%	50mV	±1%	±5%	
5	5.5V	2.0A	±5%	50mV	±1%	±5%	
6	6V	2.0A	±5%	60mV	±1%	±5%	
7	7.0V	1.4A	±5%	70mV	±1%	±5%	
8	7.0V	1.6A	±5%	70mV	±1%	±5%	
9	7.5V	1.6A	±5%	70mV	±1%	±5%	
10	8V	1.0A	±5%	80mV	±1%	±5%	
11	9V	1.3A	±5%	90mV	±1%	±5%	
12	10V	1.1A	±5%	100mV	±1%	±5%	
13	12V	0.8A	±5%	120mV	±1%	±5%	
14	12V	1.0A	±5%	120mV	±1%	±5%	
15	15V	0.8A	±5%	150mV	±1%	±5%	
16	24V	0.5A	±5%	240mV	±1%	±5%	
17	-	-	-	-	-	-	-

Measurement condition

1. Measurements shall be made with an oscilloscope with 20MHz bandwidth.
2. Outputs shall be bypassed at the connector with a 0.1uF ceramic disk capacitor and a 10uF electrolytic capacitor to simulate system loading.

Mechanical Spec:



Packing Spec:

Type	Pcsper Carton	Gross Weight (kg)	Net Weightht(kg)	Size(mm)	CBM(m2)	Container	Ctn/Container	Pcs/Container	Gross Weingt (Ton)	Remark
UOF312	64	7.26	5.76	406x250x298	1x1.2	20	800	51200	6048	Bulk package