



Safety , Efficient & Earth friendly

I.T.E AC/DC Adaptor 45W Series Wall Mount

UW&UWA Series



Product Highlights:

- ✓ Mobility
- ✓ Compact size
- ✓ Light weight
- ✓ Available at Japan type
- ✓ Suit small to mid size hand held computer, LCD display, etc.

Protection:

- ✓ Short circuit protection
- ✓ Over Voltage Protection
- ✓ Over Current Protection

Efficiency:

- ✓ CEC Leve 5
- ✓ Energy Star 2.0

Safety Approvals:

- ✓ CE (Low Voltage Directive)
- ✓ J60950

Emissions:

- ✓ CE CISPR 22 Class B
- ✓ VCCI Class B
- ✓ CNS13438 Class B

Immunity:

- ✓ EN55024/A1:2001
- ✓ Electrostatic discharge: 61000-4-2
- ✓ Radiated electromagnetic fields:61000-4-3
- ✓ Fast transients (Burst): 61000-4-4
- ✓ Surge transients: 61000-4-5
- ✓ Conducted disturbance: 61000-4-6
- ✓ Voltage dips, interruptions & Variations:61000-4-11

Electrical Spec:

Absolute Maximum Rating

Input					
Description	Min	Typ	Max	Units	Comment
Voltage	90	120/240	264	VAC	2 Wire No Protection Ground
Frequency	47	50/60	63	Hz	

Environmental					
Description	Min	Typ	Max	Units	Comment
Operating Temperature	0	-	40	°C	Free Convection,Sea level
Non-Operating Temperture	-20	-	65	°C	Free Convection,Sea level
Operating Humidity	10	-	90	%RH	No Condensing
Non-Operating Humidity	10	-	90	%RH	No Condensing

Typical model list:

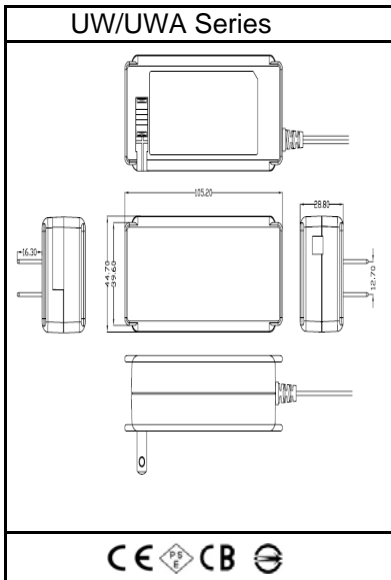
I.T.E AC/DC Adaptor 45W Series Wall Mount

Input Condition	DC Output Voltage	DC Output Current	Output Voltage Precision	Ripple & Noises	Regulation		Option/Remark	
					Line	Load		
Input Voltage: 90V-264Vac Frequency: 47-63Hz	1	12V	3.8A	±5%	300mV	±1%	±5%	
	2	14V	3.21A	±5%	200mV	±1%	±5%	
	3	15V	3.0A	±5%	170mV	±1%	±5%	
	4	16V	2.8A	±5%	170mV	±1%	±5%	
	5	18V	2.5V	±5%	200mV	±1%	±5%	
	6	19V	2.4A	±5%	200mV	±1%	±5%	
	7	19.5V	2.3A	±5%	200mV	±1%	±5%	
	8	24V	1.9A	±5%	200mV	±1%	±5%	
	9	35V	1.3A	±5%	200mV	±1%	±5%	
	10	-	-	-	-	-	-	-

Measurement condition

1. Measurements shall be made with an oscilloscope with 20MHz bandwidth.
2. Outputs shall be bypassed at the connector with a 0.1uF ceramic disk capacitor and a 10uF electrolytic capacitor to simulate system loading.

Mechanical



Packing Spec:

Type	Pcsper Carton	Gross Weight (kg)	Net Weingt(kg)	Size(mm)	CBM(m2)	Container	Ctn/Container	Pcs/Container	Gross Weingt (Ton)	Remark
UW/UWA345	60	13.5	12	406x250x298	1x1.2	20	800	48000	11040	With Gift Box
	96	22.2	19.2	565x393x255	1x1.2	20	400	38400	9120	Bulk package



Safety , Efficient & Earth friendly

I.T.E AC/DC Adaptor 45W Series Desktop

UIA&UI&UIB&UIT Series



Product

- ✓ Stability
- ✓ Compact size
- ✓ Energy efficiency
- ✓ Available with IEC C6 & C8 inlet type
- ✓ Suit LCD display, hand held computer, multimedia player etc.

Protection:

- ✓ Short circuit protection
- ✓ Over Voltage Protection
- ✓ Over Current Protection

Efficiency:

- ✓ CEC Leve 5
- ✓ Energy Star 2.0

Safety Approvals:

- ✓ UL60950
- ✓ CAN/CSA C22.2 NO. 60950
- ✓ EN60950:2000
- ✓ CE (Low Voltage Directive)
- ✓ K60950
- ✓ PSE IEC60950
- ✓ GB4943-2001

Emissions:

- ✓ EC CISPR 22 Class B
- ✓ VCCI Class B
- ✓ CNS13438 Class B
- ✓ GB9254-2008/GB17625.1-2003

Immunity:

- ✓ EN55024/A1:2001
- ✓ Electrostatic discharge: 61000-4-2
- ✓ Radiated electromagnetic fields:61000-4-3
- ✓ Fast transients (Burst): 61000-4-4
- ✓ Surge transients: 61000-4-5
- ✓ Conducted disturbance: 61000-4-6
- ✓ Voltage dips, interruptions & Variations:61000-4-11

Electrical Spec:

Absolute Maximum Rating

Input					
Description	Min	Typ	Max	Units	Comment
Voltage	90	120/240	264	VAC	2 Wire No Protection Ground
Frequency	47	50/60	63	Hz	

Environmental					
Description	Min	Typ	Max	Units	Comment
Operating Temperature	0	-	40	°C	Free Convection,Sea level
Non-Operating Temperture	-20	-	65	°C	Free Convection,Sea level
Operating Humidity	10	-	90	%RH	No Condensing
Non-Operating Humidity	10	-	90	%RH	No Condensing

Typical model list:

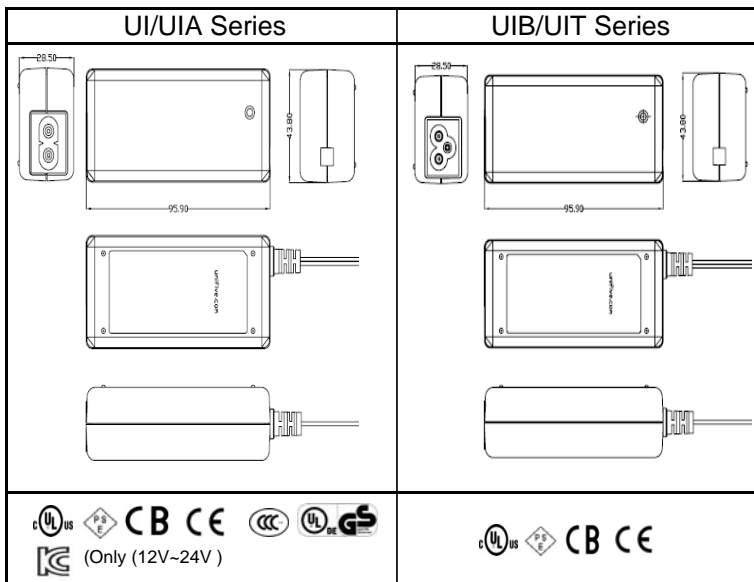
I.T.E AC/DC Adaptor 45W Series Desktop

Input Condition	DC Output Voltage	DC Output Current	Output Voltage Precision	Ripple & Noises	Regulation		Option/Remark	
					Line	Load		
Input Voltage: 90V-264Vac Frequency: 47-63Hz	1	12V	3.8A	±5%	300mV	±1%	±5%	
	2	14V	3.21A	±5%	170mV	±1%	±5%	
	3	15V	3.0A	±5%	170mV	±1%	±5%	
	4	16V	2.8A	±5%	300mV	±1%	±5%	
	5	18V	2.5A	±5%	170mV	±1%	±5%	
	6	19V	2.4A	±5%	240mV	±1%	±5%	
	7	19.5V	2.3A	±5%	170mV	±1%	±5%	
	8	24V	1.9A	±5%	170mV	±1%	±5%	
	9	35V	1.3A	±5%	170mV	±1%	±5%	
14	-	-	-	-	-	-	-	-

Measurement condition

1. Measurements shall be made with an oscilloscope with 20MHz bandwidth.
2. Outputs shall be bypassed at the connector with a 0.1uF ceramic disk capacitor and a 10uF electrolytic capacitor to simulate system loading.

Mechanical



Packing Spec:

Type	Pcsper Carton	Gross Weight (kg)	Net Weingt(kg)	Size(mm)	CBM(m2)	Container	Ctn/Contai ner	Pcs/Contai ner	Gross Weingt (Ton)	Remark
UIA/UI345	60	12	10.5	406x250x298	1x1.2	20	800	48000	9840	With Gift Box
	60	12	10.5	406x250x298	1x1.2	20	800	48000	9840	Bulk package
UIB/UIT345	60	12	10.5	406x250x298	1x1.2	20	800	48000	9840	With Gift Box
	60	12	10.5	406x250x298	1x1.2	20	800	48000	9840	Bulk package

UEC Series



Product

- ✓ Stability
- ✓ Compact size
- ✓ Energy efficiency
- ✓ Available with IEC C14 inlet type
- ✓ Suit LCD display, hand held computer, multimedia player etc.

Protection:

- ✓ Short circuit protection
- ✓ Over Voltage Protection
- ✓ Over Current Protection

Efficiency:

- ✓ CEC Leve 5
- ✓ Energy Star 2.0

Safety Approvals:

- ✓ UL60950
- ✓ CAN/CSA C22.2 NO. 60950
- ✓ PSB
- ✓ CE (Low Voltage Directive)
- ✓ K60950
- ✓ AS/NZS 60950:2000
- ✓ GB4943-2001
- ✓ J60950

Emissions:

- ✓ EC CISPR 22 Class B
- ✓ VCCI Class B
- ✓ AS/NZS3548, AS/NZS4251.1 Class B
- ✓ CNS13438 Class B
- ✓ GB9254-2008/GB17625.1-2003

Immunity:

- ✓ EN55024/A1:2001
- ✓ Electrostatic discharge: 61000-4-2
- ✓ Radiated electromagnetic fields:61000-4-3
- ✓ Fast transients (Burst): 61000-4-4
- ✓ Surge transients: 61000-4-5
- ✓ Conducted disturbance: 61000-4-6
- ✓ Voltage dips, interruptions & Variations:61000-4-11

Electrical Spec:

Absolute Maximum Rating

Input					
Description	Min	Typ	Max	Units	Comment
Voltage	90	120/240	264	VAC	2 Wire No Protection Ground
Frequency	47	50/60	63	Hz	

Environmental					
Description	Min	Typ	Max	Units	Comment
Operating Temperature	0	-	40	°C	Free Convection,Sea level
Non-Operating Temperture	-20	-	65	°C	Free Convection,Sea level
Operating Humidity	10	-	90	%RH	No Condensing
Non-Operating Humidity	10	-	90	%RH	No Condensing

Typical model list:

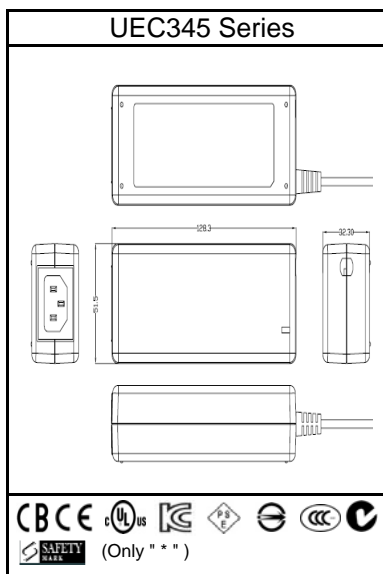
I.T.E AC/DC Adaptor 45W Series Desktop

Input Condition		DC Output Voltage	DC Output Current	Output Voltage Precision	Ripple & Noises	Regulation		Option/Remark
						Line	Load	
Input Voltage: 90V-264Vac Frequency: 47-63Hz	1	48V	0.4A	±5%	200mV	±1%	±5%	
	2*	48V	0.875A	±5%	300mV	±1%	±5%	
	3	-	-	-	-	-	-	-

Measurement condition

1. Measurements shall be made with an oscilloscope with 20MHz bandwidth.
2. Outputs shall be bypassed at the connector with a 0.1uF ceramic disk capacitor and a 10uF electrolytic capacitor to simulate system loading.

Mechanical



Packing Spec:

Type	Pcsper Carton	Gross Weight (kg)	Net Weihgt(kg)	Size(mm)	CBM(m2)	Container	Ctn/Contai ner	Pcs/Contai ner	Gross Weingt (Ton)	Remark
UEC345	32	9.82	8.32	406×250×298	1×1.2	20	800	25600	8096	With Gift Box
	50	16	13	565×393×255	1×1.2	20	400	20000	6640	Bulk package