

I.T.E AC/DC Adaptor 36W Series Wall Mount

UU & UUE & UUK Series



Product

- ✓ Mobility
- ✓ Compact size
- ✓ Light weight
- ✓ Available at Japan type
- ✓ Suit small to mid size hand held computer, LCD display, etc.

Protection:

- ✓ Short circuit protection
- ✓ Over Voltage Protection
- ✓ Over Current Protection

Efficiency:

- ✓ CEC Leve 5
- ✓ Energy Star 2.0

Safety Approvals:

- ✓ J60950

Emissions:

- ✓ CE CISPR 22 Class B
- ✓ VCCI Class B

Immunity:

- ✓ EN55024/A1:2001
- ✓ Electrostatic discharge: 61000-4-2
- ✓ Radiated electromagnetic fields:61000-4-3
- ✓ Fast transients (Burst): 61000-4-4
- ✓ Surge transients: 61000-4-5
- ✓ Conducted disturbance: 61000-4-6
- ✓ Voltage dips, interruptions & Variations:61000-4-11

Electrical Spec:

Absolute Maximum Rating

| Input | | | | | |
|-------------|-----|---------|-----|-------|-----------------------------|
| Description | Min | Typ | Max | Units | Comment |
| Voltage | 90 | 120/240 | 264 | VAC | 2 Wire No Protection Ground |
| Frequency | 47 | 50/60 | 63 | Hz | |

| Environmental | | | | | |
|--------------------------|-----|-----|-----|-------|---------------------------|
| Description | Min | Typ | Max | Units | Comment |
| Operating Temperature | 0 | - | 40 | °C | Free Convection,Sea level |
| Non-Operating Temperture | -20 | - | 65 | °C | Free Convection,Sea level |
| Operating Humidity | 10 | - | 90 | %RH | No Condensing |
| Non-Operating Humidity | 10 | - | 90 | %RH | No Condensing |

Typical model list:

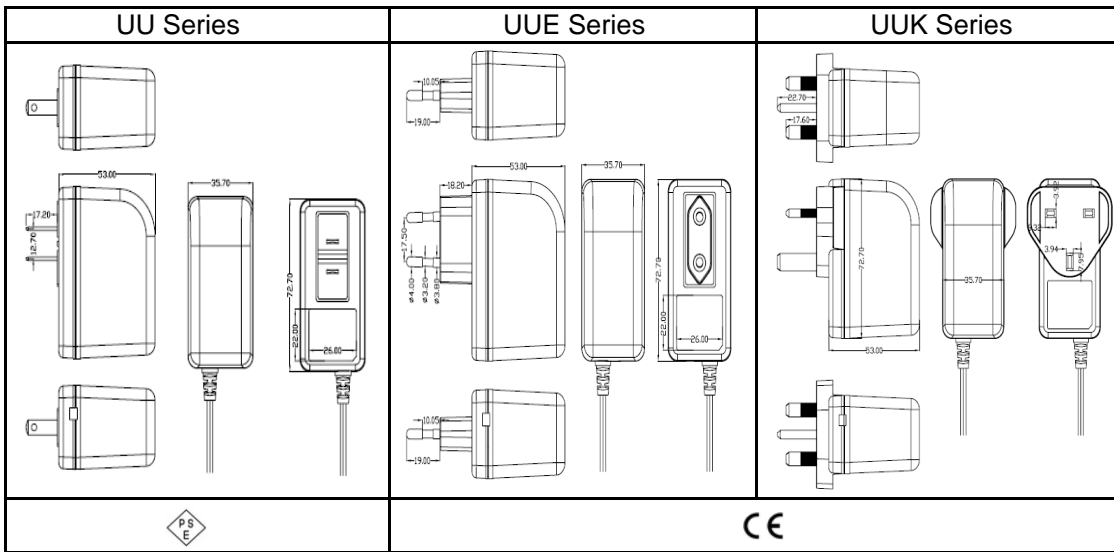
I.T.E AC/DC Adaptor 36W Series Wall Mount

| Input Condition | DC Output Voltage | DC Output Current | Output Voltage Precision | Ripple & Noises | Regulation | | Option/Remark | |
|---|-------------------|-------------------|--------------------------|-----------------|------------|------|---------------|---|
| | | | | | Line | Load | | |
| Input Voltage: 90V-264Vac Frequency: 47-63Hz | 1 | 12V | 3.0A | ±5% | 300mV | ±1% | ±5% | |
| | 2 | 15V | 2.4A | ±5% | 300mV | ±1% | ±5% | |
| | 3 | 16V | 2.2A | ±5% | 300mV | ±1% | ±5% | |
| | 4 | 18V | 2.0A | ±5% | 300mV | ±1% | ±5% | |
| | 5 | 24V | 1.5A | ±5% | 300mV | ±1% | ±5% | |
| | 6 | 35V | 1.0A | ±5% | 300mV | ±1% | ±5% | |
| | 7 | - | - | - | - | - | - | - |

Measurement condition

1. Measurements shall be made with an oscilloscope with 20MHz bandwidth.
2. Outputs shall be bypassed at the connector with a 0.1uF ceramic disk capacitor and a 10uF electrolytic capacitor to simulate system loading.

Mechanical



Packing Spec:

| Type | Pcsper Carton | Gross Weight (kg) | Net Weihgt(kg) | Size(mm) | CBM(m2) | Container | Ctn/Contai ner | Pcs/Contai ner | Gross Weingt (Ton) | Remark |
|------|---------------|-------------------|----------------|-------------|---------|-----------|----------------|----------------|--------------------|---------------|
| UU | 63 | 9.69 | 8.19 | 406×250×298 | 1×1.2 | 20 | 800 | 50400 | 7992 | With Gift Box |
| | 100 | 16 | 13 | 565×393×255 | 1×1.2 | 20 | 400 | 40000 | 6640 | Bulk package |
| UUE | 42 | 7.254 | 5.754 | 406×250×298 | 1×1.2 | 20 | 800 | 33600 | 6043.2 | With Gift Box |
| | 60 | 11.22 | 8.22 | 565×393×255 | 1×1.2 | 20 | 400 | 24000 | 4728 | Bulk package |
| UUK | 42 | 7.38 | 5.88 | 406×250×298 | 1×1.2 | 20 | 800 | 33600 | 6144 | With Gift Box |
| | 60 | 11.4 | 8.4 | 565×393×255 | 1×1.2 | 20 | 400 | 24000 | 4800 | Bulk package |



Product

- ✓ Mobility
- ✓ Compact size
- ✓ Light weight
- ✓ Available at Japan type
- ✓ Suit small to mid size hand held computer, LCD display, etc.

Protection:

- ✓ Short circuit protection
- ✓ Over Voltage Protection
- ✓ Over Current Protection

Efficiency:

- ✓ CEC Leve 5
- ✓ Energy Star 2.0

Safety Approvals:

- ✓ CE (Low Voltage Directive)
- ✓ J60950

Emissions:

- ✓ CE CISPR 22 Class B
- ✓ VCCI Class B

Immunity:

- ✓ EN55024/A1:2001
- ✓ Electrostatic discharge: 61000-4-2
- ✓ Radiated electromagnetic fields:61000-4-3
- ✓ Fast transients (Burst): 61000-4-4
- ✓ Surge transients: 61000-4-5
- ✓ Conducted disturbance: 61000-4-6
- ✓ Voltage dips, interruptions & Variations:61000-4-11

Electrical Spec:

Absolute Maximum Rating

| Input | | | | | |
|-------------|-----|---------|-----|-------|-----------------------------|
| Description | Min | Typ | Max | Units | Comment |
| Voltage | 90 | 120/240 | 264 | VAC | 2 Wire No Protection Ground |
| Frequency | 47 | 50/60 | 63 | Hz | |

| Environmental | | | | | |
|--------------------------|-----|-----|-----|-------|---------------------------|
| Description | Min | Typ | Max | Units | Comment |
| Operating Temperature | 0 | - | 40 | °C | Free Convection,Sea level |
| Non-Operating Temperture | -20 | - | 65 | °C | Free Convection,Sea level |
| Operating Humidity | 10 | - | 90 | %RH | No Condensing |
| Non-Operating Humidity | 10 | - | 90 | %RH | No Condensing |

Typical model list:

I.T.E AC/DC Adaptor 36W Series Wall Mount

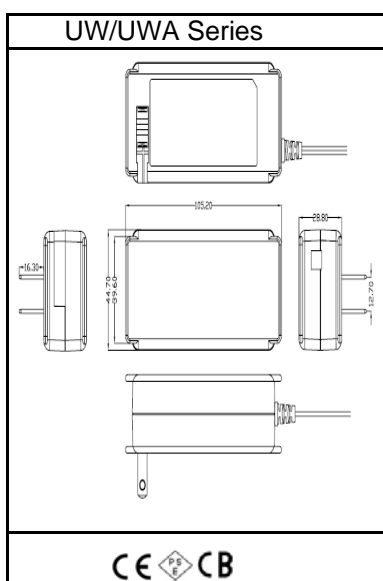
| Input Condition | | DC Output Voltage | DC Output Current | Output Voltage Precision | Ripple & Noises | Regulation | | Option/Remark |
|---|---|-------------------|-------------------|--------------------------|-----------------|------------|------|---------------|
| | | | | | | Line | Load | |
| Input Voltage: 90V-264Vac Frequency: 47-63Hz | 1 | 12V | 3.0A | ±5% | 300mV | ±1% | ±5% | |
| | 2 | 15V | 2.4A | ±5% | 170mV | ±1% | ±5% | |
| | 3 | 16V | 2.2A | ±5% | 170mV | ±1% | ±5% | |
| | 4 | 18V | 2.0A | ±5% | 200mV | ±1% | ±5% | |
| | 5 | 24V | 1.5A | ±5% | 170mV | ±1% | ±5% | |
| | 6 | 35V | 1.0A | ±5% | 170mV | ±1% | ±5% | |
| | 7 | - | - | - | - | - | - | - |

Measurement condition

1. Measurements shall be made with an oscilloscope with 20MHz bandwidth.

2. Outputs shall be bypassed at the connector with a 0.1uF ceramic disk capacitor and a 10uF electrolytic capacitor to simulate system loading.

Mechanical



Packing Spec:

| Type | Pcsper Carton | Gross Weight (kg) | Net Weihgt(kg) | Size(mm) | CBM(m2) | Container | Ctn/Contai ner | Pcs/Contai ner | Gross Weingt (Ton) | Remark |
|-----------|---------------|-------------------|----------------|-------------|---------|-----------|----------------|----------------|--------------------|---------------|
| UW/UWA336 | 60 | 13.5 | 12 | 406x250x298 | 1x1.2 | 20 | 800 | 48000 | 11040 | With Gift Box |
| | 96 | 22.2 | 19.2 | 565x393x255 | 1x1.2 | 20 | 400 | 38400 | 9120 | Bulk package |

Ulx Series



Product

- ✓ Stability
- ✓ Compact size
- ✓ Energy efficiency
- ✓ Available with IEC C6 & C8 inlet type
- ✓ Suit LCD display, hand held computer, multimedia player etc.

Protection:

- ✓ Short circuit protection
- ✓ Over Voltage Protection
- ✓ Over Current Protection

Efficiency:

- ✓ CEC Leve 5
- ✓ Energy Star 2.0

Safety Approvals:

- ✓ UL60950
- ✓ CAN/CSA C22.2 NO. 60950
- ✓ EN60950:2000
- ✓ CE (Low Voltage Directive)
- ✓ K60950
- ✓ PSE IEC60950
- ✓ GB4943-2001

Emissions:

- ✓ EC CISPR 22 Class B
- ✓ VCCI Class B
- ✓ CNS13438 Class B
- ✓ GB9254-2008/GB17625.1-2003

Immunity:

- ✓ EN55024/A1:2001
- ✓ Electrostatic discharge: 61000-4-2
- ✓ Radiated electromagnetic fields:61000-4-3
- ✓ Fast transients (Burst): 61000-4-4
- ✓ Surge transients: 61000-4-5
- ✓ Conducted disturbance: 61000-4-6
- ✓ Voltage dips, interruptions & Variations:61000-4-11

Electrical Spec:

Absolute Maximum Rating

| Input | | | | | |
|-------------|-----|---------|-----|-------|-----------------------------|
| Description | Min | Typ | Max | Units | Comment |
| Voltage | 90 | 120/240 | 264 | VAC | 2 Wire No Protection Ground |
| Frequency | 47 | 50/60 | 63 | Hz | |

| Environmental | | | | | |
|--------------------------|-----|-----|-----|-------|---------------------------|
| Description | Min | Typ | Max | Units | Comment |
| Operating Temperature | 0 | - | 40 | °C | Free Convection,Sea level |
| Non-Operating Temperture | -20 | - | 65 | °C | Free Convection,Sea level |
| Operating Humidity | 10 | - | 90 | %RH | No Condensing |
| Non-Operating Humidity | 10 | - | 90 | %RH | No Condensing |

Typical model list:

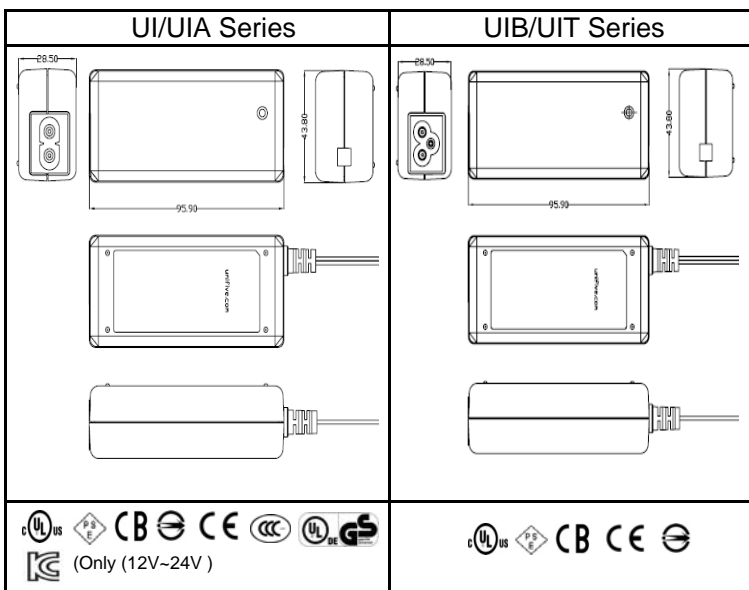
I.T.E AC/DC Adaptor 36W Series Desktop

| Input Condition | DC Output Voltage | DC Output Current | Output Voltage Precision | Ripple & Noises | Regulation | | Option/Remark | |
|---|-------------------|-------------------|--------------------------|-----------------|------------|------|---------------|---|
| | | | | | Line | Load | | |
| Input Voltage: 90V-264Vac Frequency: 47-63Hz | 1 | 12V | 3.0A | ±5% | 300mV | ±1% | ±5% | |
| | 2 | 15V | 2.4A | ±5% | 150mV | ±1% | ±5% | |
| | 3 | 16V | 2.2A | ±5% | 170mV | ±1% | ±5% | |
| | 4 | 18V | 2.0A | ±5% | 170mV | ±1% | ±5% | |
| | 5 | 24V | 1.5A | ±5% | 240mV | ±1% | ±5% | |
| | 6 | 35V | 1.0A | ±5% | 170mV | ±1% | ±5% | |
| | 7 | - | - | - | - | - | - | - |

Measurement condition

1. Measurements shall be made with an oscilloscope with 20MHz bandwidth.
2. Outputs shall be bypassed at the connector with a 0.1uF ceramic disk capacitor and a 10uF electrolytic capacitor to simulate system loading.

Mechanical



Packing Spec:

| Type | Pcsper Carton | Gross Weight (kg) | Net Weingt(kg) | Size(mm) | CBM(m2) | Container | Ctn/Contai ner | Pcs/Contai ner | Gross Weingt (Ton) | Remark |
|------------|---------------|-------------------|----------------|-------------|---------|-----------|----------------|----------------|--------------------|---------------|
| UIA/UI336 | 60 | 12 | 10.5 | 406x250x298 | 1x1.2 | 20 | 800 | 48000 | 9840 | With Gift Box |
| | 60 | 12 | 10.5 | 406x250x298 | 1x1.2 | 20 | 800 | 48000 | 9840 | Bulk package |
| UIB/UIT336 | 60 | 12 | 10.5 | 406x250x298 | 1x1.2 | 20 | 800 | 48000 | 9840 | With Gift Box |
| | 60 | 12 | 10.5 | 406x250x298 | 1x1.2 | 20 | 800 | 48000 | 9840 | Bulk package |