



Safety , Efficient & Earth friendly

I.T.E AC/DC Adaptor 24W Series Wall Mount

USL&USE Series



Product

Stability
Compact type
Energy efficiency
Available at Japan, Taiwan, USA & Europe type
Suit Portable HDD, GPS, network device & multimedia player

Protection:

Short circuit protection
Over Voltage Protection
Over Current Protection

Efficiency:

CEC Leve 5
Energy Star 2.0

Electrical Spec:

Absolute Maximum Rating

Safety Approvals:

J60950

Emissions:

CE CISPR 22 Class B
VCCI Class B

Immunity:

EN55024/A1:2001
Electrostatic discharge: 61000-4-2
Radiated electromagnetic fields:61000-4-3
Fast transients (Burst): 61000-4-4
Surge transients: 61000-4-5
Conducted disturbance: 61000-4-6
Voltage dips, interruptions & Variations:61000-4-11

Input					
Description	Min	Typ	Max	Units	Comment
Voltage	90	120/240	264	VAC	2 Wire No Protection Ground
Frequency	47	50/60	63	Hz	

Environmental					
Description	Min	Typ	Max	Units	Comment
Operating Temperature	0	-	40	°C	Free Convection,Sea level
Non-Operating Temperture	-20	-	65	°C	Free Convection,Sea level
Operating Humidity	10	-	90	%RH	No Condensing
Non-Operating Humidity	10	-	90	%RH	No Condensing

Typical model list:

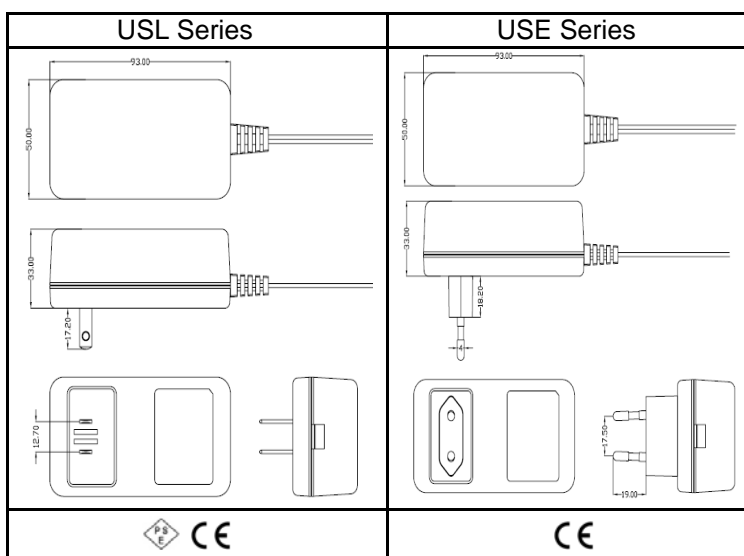
I.T.E AC/DC Adaptor 24W Series Wall Mount

Input Condition		DC Output Voltage	DC Output Current	Output Voltage Precision	Ripple & Noises	Regulation		Option/Remark
						Line	Load	
Input Voltage: 90V-264Vac Frequency: 47-63Hz	1	5V	3.0A	±5%	100mV	±1%	±5%	
	2	5V	4.0A	±5%	100mV	±1%	±5%	
	3	12V	1.5A	±5%	120mV	±1%	±5%	
	4	12V	2.0A	±5%	120mV	±1%	±5%	
	5	12V	2.5A	±5%	120mV	±1%	±5%	
	6	-	-	-	-	-	-	-

Measurement condition

1. Measurements shall be made with an oscilloscope with 20MHz bandwidth.
2. Outputs shall be bypassed at the connector with a 0.1uF ceramic disk capacitor and a 10uF electrolytic capacitor to simulate system loading.

Mechanical



Packing Spec:

Type	Pcsper Carton	Gross Weight (kg)	Net Weingt(kg)	Size(mm)	CBM(m2)	Container	Ctn/Contai ner	Pcs/Contai ner	Gross Weingt (Ton)	Remark
USL124/324	81	15.555	12.555	565x393x255	1x1.2	20	400	32400	6462	With Gift Box
	64	12.92	9.92	565x393x255	1x1.2	20	400	25600	5408	Bulk package
USE324	64	14.2	11.2	565x393x255	1x1.2	20	400	25600	5920	With Gift Box
	64	14.2	11.2	565x393x255	1x1.2	20	400	25600	5920	Bulk package



Safety , Efficient & Earth friendly

I.T.E AC/DC Adaptor 24W Series Wall Mount

UU&UUE&UUK Series



Product

- Stability
- small size
- Cost efficiency
- Available at Japan, Taiwan, USA, Europe & UK

type

Suit Portable HDD, Portable GPS, PDA & network device

Protection:

- Short circuit protection
- Over Voltage Protection
- Over Current Protection

Efficiency:

- CEC Leve 5
- Energy Star 2.0

Safety Approvals:

- UL60950
- CAN/CSA C22.2 NO. 60950
- EN60950:2000
- CE (Low Voltage Directive)
- J60950
- PSB

Emissions:

- CE CISPR 22 Class B
- VCCI Class B

Immunity:

- EN55024/A1:2001
- Electrostatic discharge: 61000-4-2
- Radiated electromagnetic fields:61000-4-3
- Fast transients (Burst): 61000-4-4
- Surge transients: 61000-4-5
- Conducted disturbance: 61000-4-6
- Voltage dips, interruptions & Variations:61000-4-11

Electrical Spec:

Absolute Maximum Rating

Input					
Description	Min	Typ	Max	Units	Comment
Voltage	90	120/240	264	VAC	2 Wire No Protection Ground
Frequency	47	50/60	63	Hz	

Environmental					
Description	Min	Typ	Max	Units	Comment
Operating Temperature	0	-	40	°C	Free Convection,Sea level
Non-Operating Temperture	-20	-	65	°C	Free Convection,Sea level
Operating Humidity	10	-	90	%RH	No Condensing
Non-Operating Humidity	10	-	90	%RH	No Condensing

Typical model list:

I.T.E AC/DC Adaptor 24W Series Wall Mount

Input Condition	DC Output Voltage	DC Output Current	Output Voltage Precision	Ripple & Noises	Regulation		Option/Remark	
					Line	Load		
Input Voltage: 90V-264Vac Frequency: 47-63Hz	1	3.3V	3.0A	±5%	100mV	±1%	±5%	
	2	5V	2.0A	±5%	100mV	±1%	±5%	
	3	5V	3.0A	±5%	100mV	±1%	±5%	
	4	12V	1.25A	±5%	200mV	±1%	±5%	
	5	12V	1.5A	±5%	200mV	±1%	±5%	
	6	12V	2.0A	±5%	200mV	±1%	±5%	
	7	24V	1.0A	±5%	300mV	±1%	±5%	
	8	-	-	-	-	-	-	-

Measurement condition

1. Measurements shall be made with an oscilloscope with 20MHz bandwidth.
2. Outputs shall be bypassed at the connector with a 0.1uF ceramic disk capacitor and a 10uF electrolytic capacitor to simulate system loading.

Mechanical

UU Series	UUE Series	UUK Series

Packing Spec:

Type	Pcsper Carton	Gross Weight (kg)	Net Weihgt(kg)	Size(mm)	CBM(m2)	Container	Ctn/Contai ner	Pcs/Contai ner	Gross Weingt (Ton)	Remark
UU	63	9.69	8.19	406x250x298	1x1.2	20	800	50400	7992	With Gift Box
	100	16	13	565x393x255	1x1.2	20	400	40000	6640	Bulk package
UUE	42	7.254	5.754	406x250x298	1x1.2	20	800	33600	6043.2	With Gift Box
	60	11.22	8.22	565x393x255	1x1.2	20	400	24000	4728	Bulk package
UUK	42	7.38	5.88	406x250x298	1x1.2	20	800	33600	6144	With Gift Box
	60	11.4	8.4	565x393x255	1x1.2	20	400	24000	4800	Bulk package

UV Series



Product

Stability
 small size
 Cost efficiency
 Available at Japan, Taiwan, USA, Europe & UK
 type
 Suit Portable HDD, Portable GPS, PDA & network
 device

Safety Approvals:

J60950

Protection:

Short circuit protection
 Over Voltage Protection
 Over Current Protection

Emissions:

CE CISPR 22 Class B
 VCCI Class B

Efficiency:

CEC Leve 5
 Energy Star 2.0

Immunity:

EN55024/A1:2001
 Electrostatic discharge: 61000-4-2
 Radiated electromagnetic fields:61000-4-3
 Fast transients (Burst): 61000-4-4
 Surge transients: 61000-4-5
 Conducted disturbance: 61000-4-6
 Voltage dips, interruptions & Variations:61000-4-11

Electrical Spec:

Absolute Maximum Rating

Input					
Description	Min	Typ	Max	Units	Comment
Voltage	90	120/240	264	VAC	2 Wire No Protection Ground
Frequency	47	50/60	63	Hz	

Environmental					
Description	Min	Typ	Max	Units	Comment
Operating Temperature	0	-	40	°C	Free Convection,Sea level
Non-Operating Temperture	-20	-	65	°C	Free Convection,Sea level
Operating Humidity	10	-	90	%RH	No Condensing
Non-Operating Humidity	10	-	90	%RH	No Condensing

Typical model list:

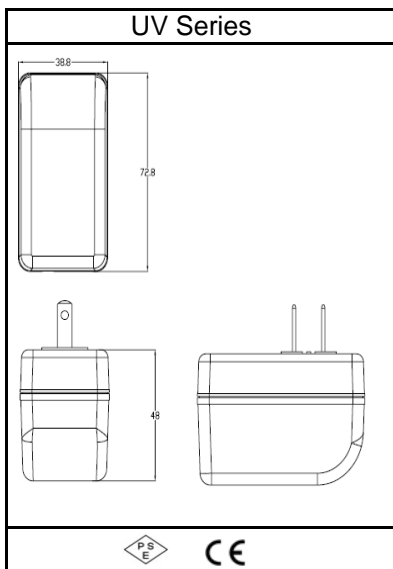
I.T.E AC/DC Adaptor 24W Series Wall Mount

Input Condition	DC Output Voltage	DC Output Current	Output Voltage Precision	Ripple & Noises	Regulation		Option/Remark	
					Line	Load		
Input Voltage: 90V-264Vac Frequency: 47-63Hz	1	3.3V	3.0A	±5%	100mV	±1%	±5%	
	2	5V	2.0A	±5%	100mV	±1%	±5%	
	3	5V	3.0A	±5%	100mV	±1%	±5%	
	4	12V	1.25A	±5%	200mV	±1%	±5%	
	5	12V	1.5A	±5%	200mV	±1%	±5%	
	6	12V	2.0A	±5%	200mV	±1%	±5%	
	7	24V	1.0A	±5%	300mV	±1%	±5%	
	8	-	-	-	-	-	-	-

Measurement condition

1. Measurements shall be made with an oscilloscope with 20MHz bandwidth.
2. Outputs shall be bypassed at the connector with a 0.1uF ceramic disk capacitor and a 10uF electrolytic capacitor to simulate system loading.

Mechanical



Packing Spec:

Type	Pcsper Carton	Gross Weight (kg)	Net Weight(kg)	Size(mm)	CBM(m2)	Container	Ctn/Container	Pcs/Container	Gross Weight (Ton)	Remark
UV324	126	16.86	13.86	565×393×255	1×1.2	20	400	50400	6984	With Gift Box
	96	13.56	10.56	565×393×255	1×1.2	20	400	38400	5664	Bulk package

