

Product Highlights:

- Stability
- Ultra small size
- Energy efficiency
- Availabel at Japan, Taiwan, US, Europe,China,and UK type
- Suit , optical network, ADSL modem, Audio or Video equipment

Protection:

- Short circuit protection
- Over Voltage Protection
- Over Current Protection

Efficiency:

- CEC Leve 5
- Energy Star 2.0



Safety Approvals:

- UL60950
- CAN/CSA C22.2 NO. 60950
- EN60950:2000
- CE (Low Voltage Directive)
- J60950
- K60950

Emissions:

- CE CISPR 22 Class B
- VCCI Class B
- CNS13438 Class B

Immunity:

- EN55024/A1:2001
- Electrostatic discharge: 61000-4-2
- Radiated electromagnetic fields:61000-4-3
- Fast transients (Burst): 61000-4-4
- Surge transients: 61000-4-5
- Conducted disturbance: 61000-4-6
- Voltage dips, interruptions & Variations:61000-4-11

Electrical Spec:

Absolute Maximum Rating

Input					
Description	Min	Typ	Max	Units	Comment
Voltage	90	120/240	264	VAC	2 Wire No Protection Ground
Frequency	47	50/60	63	Hz	

Environmental					
Description	Min	Typ	Max	Units	Comment
Operating Temperature	0	-	40	°C	Free Convection,Sea level
Non-Operating Temperture	-20	-	65	°C	Free Convection,Sea level
Operating Humidity	10	-	90	%RH	No Condensing
Non-Operating Humidity	10	-	90	%RH	No Condensing

I.T.E AC/DC Adaptor 12W Series Wall Mount

US30 Series



Product Highlights:

- Stability
- Compact type
- Energy efficiency
- Available at China, Japan, Taiwan, US, Europe, China, UK & Australia type
- Suit GPS, network, multimedia, audio & video equipment.

Protection:

- Short circuit protection
- Over Voltage Protection
- Over Current Protection

Efficiency:

- CEC Level 5
- Energy Star 2.0

Safety Approvals:

- UL60950
- CAN/CSA C22.2 NO. 60950
- EN60950:2000
- CE (Low Voltage Directive)
- AS/NZS 60950:2000
- J60950
- K60950
- PSB

Emissions:

- FCC Part15 Class B
- CE CISPR 22 Class B
- VCCI Class B
- AS/NZS3548, AS/NZS4251.1 Class B
- CNS13438 Class B

Immunity:

- EN55024/A1:2001
- Electrostatic discharge: 61000-4-2
- Radiated electromagnetic fields:61000-4-3
- Fast transients (Burst): 61000-4-4
- Surge transients: 61000-4-5
- Conducted disturbance: 61000-4-6
- Voltage dips, interruptions & Variations:61000-4-11

Electrical Spec: Absolute Maximum Rating

Input					
Description	Min	Typ	Max	Units	Comment
Voltage	90	120/240	264	VAC	2 Wire No Protection Ground
Frequency	47	50/60	63	Hz	

Environmental					
Description	Min	Typ	Max	Units	Comment
Operating Temperature	0	-	40	°C	Free Convection,Sea level
Non-Operating Temperture	-20	-	65	°C	Free Convection,Sea level
Operating Humidity	10	-	90	%RH	No Condensing
Non-Operating Humidity	10	-	90	%RH	No Condensing

I.T.E AC/DC Adaptor 12W Series Wall Mount

UU Series



Product Highlights:

- Stability
- Compact size
- Energy efficiency
- Available at Japan, Taiwan & US type
- Suit MP3 player, PDA, Portable GPS device.

Protection:

- Short circuit protection
- Over Voltage Protection
- Over Current Protection

Efficiency:

- CEC Level 5
- Energy Star 2.0

Safety Approvals:

J60950

Immunity:

- EN55024/A1:2001
- Electrostatic discharge: 61000-4-2
- Radiated electromagnetic fields:61000-4-3
- Fast transients (Burst): 61000-4-4
- Surge transients: 61000-4-5
- Conducted disturbance: 61000-4-6
- Voltage dips, interruptions & Variations:61000-4-11

Electrical Spec:

Absolute Maximum Rating

Input					
Description	Min	Typ	Max	Units	Comment
Voltage	90	120/240	264	VAC	2 Wire No Protection Ground
Frequency	47	50/60	63	Hz	

Environmental					
Description	Min	Typ	Max	Units	Comment
Operating Temperature	0	-	40	°C	Free Convection,Sea level
Non-Operating Temperature	-20	-	65	°C	Free Convection,Sea level
Operating Humidity	10	-	90	%RH	No Condensing
Non-Operating Humidity	10	-	90	%RH	No Condensing

Typical model list:

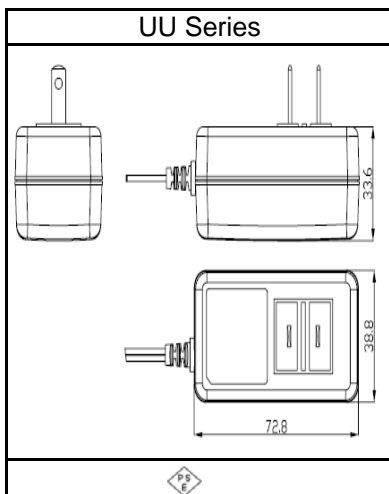
I.T.E AC/DC Adaptor 12W Series Wall Mount

Input Condition	DC Output Voltage	DC Output Current	Output Voltage Precision	Ripple & Noises	Regulation		Option/Remark	
					Line	Load		
Input Voltage: 90V-264Vac Frequency: 47-63Hz	1	3V	2.0A	±5%	50mV	±1%	±5%	
	2	3.3V	2.0A	±5%	50mV	±1%	±5%	
	3	5V	2.0A	±5%	50mV	±1%	±5%	
	4	5.5V	2.0A	±5%	50mV	±1%	±5%	
	5	6V	2.0A	±5%	60mV	±1%	±5%	
	6	7V	1.4A	±5%	70mV	±1%	±5%	
	7	7V	1.6A	±5%	70mV	±1%	±5%	
	8	7.5V	1.6A	±5%	75mV	±1%	±5%	
	9	9V	1.3A	±5%	90mV	±1%	±5%	
	10	12V	1.0A	±5%	120mV	±1%	±5%	
	11	15V	0.8A	±5%	150mV	±1%	±5%	
	12	24V	0.5A	±5%	240mV	±1%	±5%	
	13	-	-	-	-	-	-	-

Measurement condition

1. Measurements shall be made with an oscilloscope with 20MHz bandwidth.
2. Outputs shall be bypassed at the connector with a 0.1uF ceramic disk capacitor and a 10uF electrolytic capacitor to simulate system loading.

Mechanical Spec:



Packing Spec:

Type	Pcsper Carton	Gross Weight (kg)	Net Weihgt(kg)	Size(mm)	CBM(m2)	Container	Ctn/Contai ner	Pcs/Contai ner	Gross Weingt (Ton)	Remark
UU312	100	8.5	7	406x250x298	1x1.2	20	800	80000	7040	With Gift Box
	120	11.4	8.4	565x393x255	1x1.2	20	400	48000	4800	Bulk package



Safety , Efficient & Earth friendly

I.T.E AC/DC Adaptor 12W Series Wall Mount

USx Series



Product Highlights:

- Stability
- Compact type
- Energy efficiency
- Availabel at Japan, Taiwan, US, Europe, UK & Australia type
- Suit GPS, network, multimedia, audio & video equipment

Protection:

- Short circuit protection
- Over Voltage Protection
- Over Current Protection

Efficiency:

- CEC Leve 5
- Energy Star 2.0

Safety Approvals:

- UL60950
- CAN/CSA C22.2 NO. 60950
- EN60950:2000
- CE (Low Voltage Directive)
- AS/NZS 60950:2000
- J60950
- GB4943-2001

Emissions:

- FCC Part15 Class B
- CE CISPR 22 Class B
- VCCI Class B
- AS/NZS3548, AS/NZS4251.1 Class B
- CNS13438 Class B
- GB9254-2008/GB17625.1-2003

Immunity:

- EN55024/A1:2001
- Electrostatic discharge: 61000-4-2
- Radiated electromagnetic fields:61000-4-3
- Fast transients (Burst): 61000-4-4
- Surge transients: 61000-4-5
- Conducted disturbance: 61000-4-6
- Voltage dips, interruptions & Variations:61000-4-11

Electrical Spec:

Absolute Maximum Rating

Input					
Description	Min	Typ	Max	Units	Comment
Voltage	90	120/240	264	VAC	2 Wire No Protection Ground
Frequency	47	50/60	63	Hz	

Environmental					
Description	Min	Typ	Max	Units	Comment
Operating Temperature	0	-	40	°C	Free Convection,Sea level
Non-Operating Temperture	-20	-	65	°C	Free Convection,Sea level
Operating Humidity	10	-	90	%RH	No Condensing
Non-Operating Humidity	10	-	90	%RH	No Condensing



Safety , Efficient & Earth friendly

I.T.E AC/DC Adaptor 12W Series Wall Mount

UV & UVE Series



Product Highlights:

- Stability
- Compact type
- Energy efficiency
- Availabel at Japan, Taiwan, US, Europe type
- Suit GPS, network, multimedia, audio & video equipment

Protection:

- Short circuit protection
- Over Voltage Protection
- Over Current Protection

Efficiency:

- CEC Leve 5
- Energy Star 2.0

Safety Approvals:

- UL60950
- CAN/CSA C22.2 NO. 60950
- EN60950:2000
- CE (Low Voltage Directive)
- J60950

Emissions:

- FCC Part15 Class B
- CE CISPR 22 Class B
- VCCI Class B
- CNS13438 Class B

Immunity:

- EN55024/A1:2001
- Electrostatic discharge: 61000-4-2
- Radiated electromagnetic fields:61000-4-3
- Fast transients (Burst): 61000-4-4
- Surge transients: 61000-4-5
- Conducted disturbance: 61000-4-6
- Voltage dips, interruptions & Variations:61000-4-11

Electrical Spec:

Absolute Maximum Rating

Input					
Description	Min	Typ	Max	Units	Comment
Voltage	90	120/240	264	VAC	2 Wire No Protection Ground
Frequency	47	50/60	63	Hz	

Environmental					
Description	Min	Typ	Max	Units	Comment
Operating Temperature	0	-	40	°C	Free Convection,Sea level
Non-Operating Temperture	-20	-	65	°C	Free Convection,Sea level
Operating Humidity	10	-	90	%RH	No Condensing
Non-Operating Humidity	10	-	90	%RH	No Condensing

Typical model list:

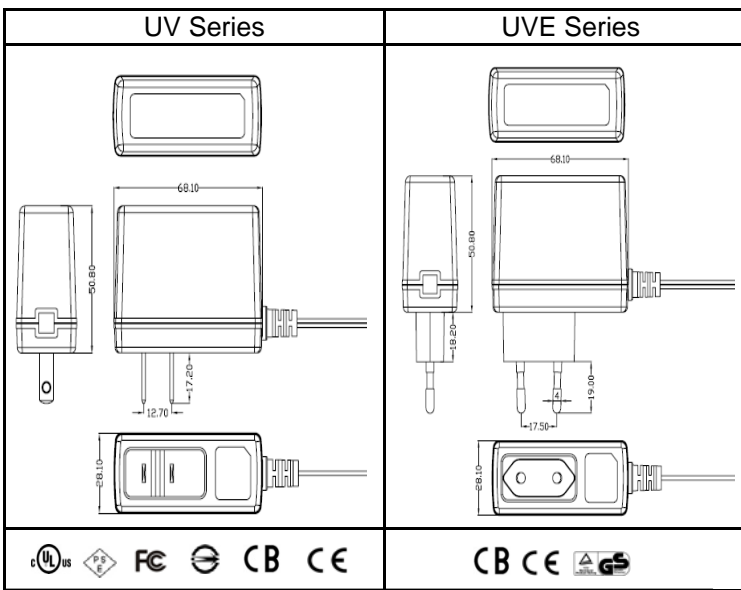
I.T.E AC/DC Adaptor 12W Series Wall Mount

Input Condition	DC Output Voltage	DC Output Current	Output Voltage Precision	Ripple & Noises	Regulation		Option/Remark	
					Line	Load		
Input Voltage: 90V-264Vac Frequency: 47-63Hz	1	3.3V	2.0A	±5%	50mV	±1%	±5%	
	2	4.5V	1.6A	±5%	50mV	±1%	±5%	
	3	5V	1.2A	±5%	50mV	±1%	±5%	
	4	5V	1.5A	±5%	50mV	±1%	±5%	
	5	5.3V	1.5A	±5%	50mV	±1%	±5%	
	6	5V	2.0A	±5%	50mV	±1%	±5%	
	7	6V	1.8A	±5%	60mV	±1%	±5%	
	8	7.5V	1.5A	±5%	70mV	±1%	±5%	
	9	8V	1.0A	±5%	80mV	±1%	±5%	
	10	9V	1.3A	±5%	90mV	±1%	±5%	
	11	12V	1.0A	±5%	120mV	±1%	±5%	
	12	15V	0.8A	±5%	150mV	±1%	±5%	
	13	24V	0.5A	±5%	240mV	±1%	±5%	
	14	-	-	-	-	-	-	-

Measurement condition

1. Measurements shall be made with an oscilloscope with 20MHz bandwidth.
2. Outputs shall be bypassed at the connector with a 0.1uF ceramic disk capacitor and a 10uF electrolytic capacitor to simulate system loading.

Mechanical Spec:



Packing Spec:

Type	Pcsper Carton	Gross Weight (kg)	Net Weighgt(kg)	Size(mm)	CBM(m2)	Container	Ctn/Contai ner	Pcs/Contai ner	Gross Weingt (Ton)	Remark
UV112/312	126	16.86	13.86	565x393x255	1x1.2	20	400	50400	6984	With Gift Box
	96	13.56	10.56	565x393x255	1x1.2	20	400	38400	5664	Bulk package
UVE312	72	11.64	8.64	565x393x255	1x1.2	20	400	28800	4896	With Gift Box
	90	13.8	10.8	565x393x255	1x1.2	20	400	36000	5760	Bulk package

I.T.E AC/DC Adaptor 12W Series Desktop

UIA & UIT Series

Product Highlights:

- Stability
- Compact type
- Energy efficiency
- Available with IEC C6 & C8 inlet type
- Suit LCD display, digital camera, multimedia player etc.



Protection:

- Short circuit protection
- Over Voltage Protection
- Over Current Protection

Safety Approvals:

- UL60950
- CAN/CSA C22.2 NO. 60950
- EN60950:2000
- CE (Low Voltage Directive)
- AS/NZS 60950:2000
- J60950
- GB4943-2001
- PSB
- K60950

Efficiency:

- CEC Leve 5
- Energy Star 2.0

Emissions:

- FCC Part15 Class B
- CE CISPR 22 Class B
- VCCI Class B
- AS/NZS3548, AS/NZS4251.1 Class B
- CNS13438 Class B

Immunity:

- EN55024/A1:2001
- Electrostatic discharge: 61000-4-2
- Radiated electromagnetic fields:61000-4-3
- Fast transients (Burst): 61000-4-4
- Surge transients: 61000-4-5
- Conducted disturbance: 61000-4-6
- Voltage dips, interruptions & Variations:61000-4-11

Electrical Spec:

Absolute Maximum Rating

Input					
Description	Min	Typ	Max	Units	Comment
Voltage	90	120/240	264	VAC	2 Wire No Protection Ground
Frequency	47	50/60	63	Hz	

Environmental					
Description	Min	Typ	Max	Units	Comment
Operating Temperature	0	-	40	°C	Free Convection,Sea level
Non-Operating Temperture	-20	-	65	°C	Free Convection,Sea level
Operating Humidity	10	-	90	%RH	No Condensing
Non-Operating Humidity	10	-	90	%RH	No Condensing

Typical model list:

I.T.E AC/DC Adaptor 12W Series Desktop

Input Condition	DC Output Voltage	DC Output Current	Output Voltage Precision	Ripple & Noises	Regulation		Option/Remark	
					Line	Load		
Input Voltage: 90V-264Vac Frequency: 47-63Hz	1	3V	2.0A	±5%	50mV	±1%	±5%	
	2*	3.3V	2.0A	-5%~+8%	50mV	±1%	±5%	
	3*	5V	2.0A	±5%	50mV	±1%	±5%	
	4	5V	2.3A	±5%	50mV	±1%	±5%	
	5	5.5V	2.0A	±5%	55mV	±1%	±5%	
	6	6V	2.0A	±5%	60mV	±1%	±5%	
	7	7V	1.4A	±5%	70mV	±1%	±5%	
	8	7V	1.6A	±5%	70mV	±1%	±5%	
	9	7.5V	1.6A	±5%	75mV	±1%	±5%	
	10	9V	1.3A	±5%	90mV	±1%	±5%	
	11	12V	1.0A	±5%	120mV	±1%	±5%	
	12	15V	0.8A	±5%	150mV	±1%	±5%	
	13	24V	0.5A	±5%	240mV	±1%	±5%	
	14	-	-	-	-	-	-	-

Measurement condition

1. Measurements shall be made with an oscilloscope with 20MHz bandwidth.
2. Outputs shall be bypassed at the connector with a 0.1uF ceramic disk capacitor and a 10uF electrolytic capacitor to simulate system loading.

Mechanical Spec:

UIA112 Series	UIA312 Series	UIT312 Series

Packing Spec:

Type	Pcsper Carton	Gross Weight (kg)	Net Weight(kg)	Size(mm)	CBM(m2)	Container	Ctn/Container	Pcs/Container	Gross Weingt (Ton)	Remark
UI/UIA112	120	19.2	16.2	565x393x255	1x1.2	20	400	48000	7920	With Gift Box
UI/UIA312	120	19.2	16.2	565x393x255	1x1.2	20	400	48000	7920	Bulk package
UIT112	120	19.2	16.2	565x393x255	1x1.2	20	400	48000	7920	With Gift Box
	120	19.2	16.2	565x393x255	1x1.2	20	400	48000	7920	Bulk package