



Safety , Efficient & Earth friendly

LED Driver 8W Desktop Series

UJC & UJCW Series



Product Highlights:

- ✓ Stability
- ✓ Ultra small size
- ✓ Energy efficiency
- ✓ Constant current for LED lighting product
- ✓ UJCW type for IP 67

Protection:

- ✓ Short circuit protection
- ✓ Over Voltage Protection
- ✓ Over Current Protection

Emissions:

- ✓ EN 55015 : 2006+A1:2007

Immunity:

- ✓ Electrostatic discharge: 61000-4-2
- ✓ Radiated electromagnetic fields:61000-4-3
- ✓ Fast transients (Burst): 61000-4-4
- ✓ Surge transients: 61000-4-5
- ✓ Conducted disturbance: 61000-4-6
- ✓ Voltage dips, interruptions & Variations:61000-4-11

Electrical Spec:

Absolute Maximum Rating

Input					
Description	Min	Typ	Max	Units	Comment
Voltage	90	120/240	264	VAC	2 Wire No Protection Ground
Frequency	47	50/60	63	Hz	

Environmental					
Description	Min	Typ	Max	Units	Comment
Operating Temperature	0	-	50	°C	Free Convection,Sea level
Non-Operating Temperture	-20	-	65	°C	Free Convection,Sea level
Operating Humidity	5	-	95	%RH	No Condensing
Non-Operating Humidity	5	-	95	%RH	No Condensing

Typical model list:

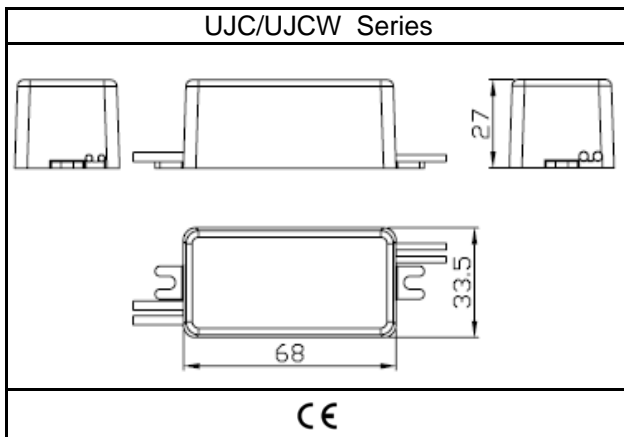
LED Driver 8W Series Desktop

Input Condition		DC Output Voltage	DC Output Current	C.V	C.C	Option/Remark
				Current MAX	Voltage Range	
Input Voltage: 90V-264Vac Frequency: 47-63Hz	1	8V	0.8A	1.0A	5V-8V	
	2	8V	0.9A			
	3	8V	1.0A			
	4	11V	0.8A	0.7A	9V-12V	
	5	12V	0.6A			
	6	12V	0.7A			
	7	15V	0.5A	0.6A	9V-15V	
	8	15V	0.6A			
	9	18V	0.4A	0.5A	9V-18V	
	10	18V	0.5A			
	11	22V	0.35A	0.35A	9V-21V	
	12	-	-	-	-	-

Measurement condition

1. Measurements shall be made with an oscilloscope with 20MHz bandwidth.
2. Outputs shall be bypassed at the connector with a 0.1uF ceramic disk capacitor and a 10uF electrolytic capacitor to simulate system loading.

Mechanical Spec:



Packing Spec:

Type	Pcsper Carton	Gross Weight (kg)	Net Weihgt(kg)	Size(mm)	CBM(m2)	Container	Ctn/Contai ner	Pcs/Contai ner	Gross Weingt (Ton)	Remark
UJC/UJCW308	60	8.7	7.2	406x250x298	1x1.2	20	800	48000	7200	With Gift Box