

LED Driver 60W Desktop Series

UJC Series



Product

- ✓ Stability
- ✓ Compact size
- ✓ Energy efficiency plus PFC function
- ✓ Heat resistant for longer life time
- ✓ Constant current for LED lighting product
- ✓ PF>0.9

Protection:

- ✓ Short circuit protection
- ✓ Over Voltage Protection
- ✓ Over Current Protection

Safety Approvals:

- ✓ GB19510.1

Emissions:

- ✓ EN 55015 : 2006+A1:2007

Immunity:

- ✓ Electrostatic discharge: 61000-4-2
- ✓ Radiated electromagnetic fields:61000-4-3
- ✓ Fast transients (Burst): 61000-4-4
- ✓ Surge transients: 61000-4-5
- ✓ Conducted disturbance: 61000-4-6
- ✓ Voltage dips, interruptions & Variations:61000-4-11

Electrical Spec:

Absolute Maximum Rating

Input					
Description	Min	Typ	Max	Units	Comment
Voltage	90	120/240	264	VAC	2 Wire No Protection Ground
Frequency	47	50/60	63	Hz	

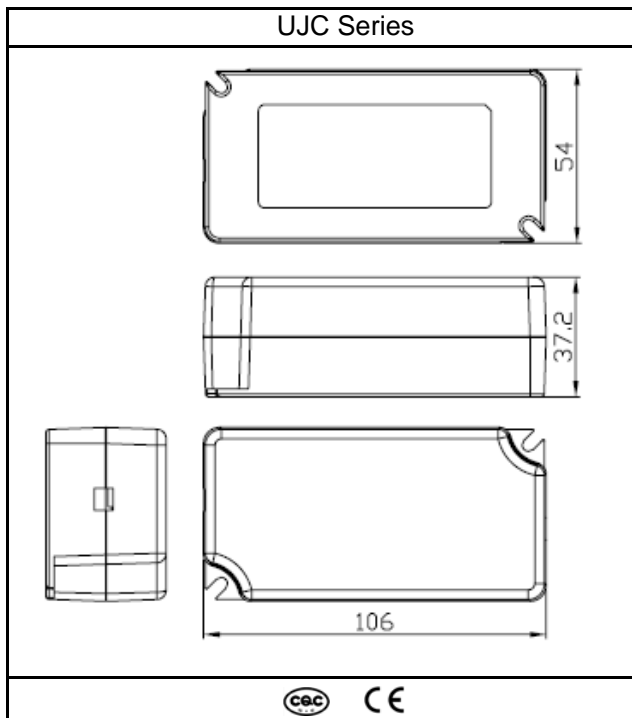
Environmental					
Description	Min	Typ	Max	Units	Comment
Operating Temperature	0	-	50	°C	Free Convection,Sea level
Non-Operating Temperature	-20	-	85	°C	Free Convection,Sea level
Operating Humidity	5	-	95	%RH	No Condensing
Non-Operating Humidity	5	-	95	%RH	No Condensing

Typical model list:

LED Driver 60W Series Desktop

Input Condition	DC Output Voltage	DC Output Current	C.C	Option/Remark	
			Voltage Range		
Input Voltage: 90V-264Vac Frequency: 47-63Hz	1	22V	0.7A	22V-30V	
	2	22V	0.8A		
	3	22V	0.9A		
	4	22V	1.0A		
	5	22V	1.1A		
	6	30V	0.7A		
	7	30V	0.8A		
	8	30V	0.9A		
	9	30V	1.0A		
	10	30V	1.1A		
	11	42V	0.6A	42V-56V	
	12	42V	0.7A		
	13	42V	0.8A		
	14	42V	0.9A		
	15	42V	1.0A		
	16	42V	1.1A		
	17	56V	0.6A		
	18	56V	0.7A		
	19	56V	0.8A		
	20	56V	0.9A		
	21	56V	1.0A		
	22	56V	1.05A		
	23	-	-		-

Mechanical



Packing Spec:

Type	Pcsper Carton	Gross Weight (kg)	Net Weight(kg)	Size(mm)	CBM(m2)	Container	Ctn/Container	Pcs/Container	Gross Weight (Ton)	Remark
UJC360	32	5.34	3.84	406x250x298	1x1.2	20	800	25600	4520	With Gift Box