

# UNIFIVE

Safety , Efficient & Earth friendly

## DC/DC Car Adaptor 5W Series

### UDCH Series

#### Product Highlights:

- ✓ Stability
- ✓ Ultra small size
- ✓ Energy efficiency
- ✓ Suit MP3 player, Mobile Phone, Portable GPS device, PDA

#### Protection:

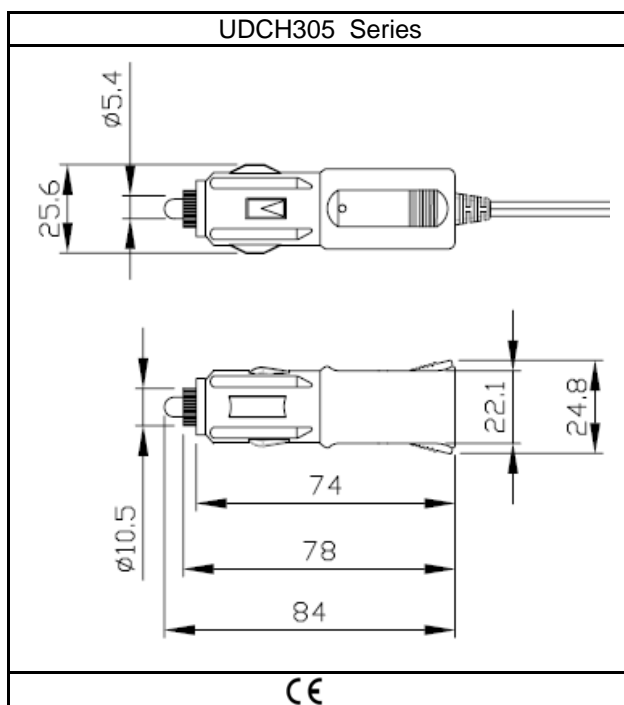
- ✓ Short circuit protection
- ✓ Over Voltage Protection
- ✓ Over Current Protection

#### Typical model list:

Input Condition		DC Output Voltage	DC Output Current	Option/Remark
Input Voltage: 11V-28Vac	1	5.0V	0.5A	
	2	5.0V	1.0A	
	3	12V	0.5A	
	4	-	-	-



#### Mechanical Spec:



#### Packing Spec:

Type	Pcsper Carton	Gross Weight (kg)	Net Weighgt(kg)	Size(mm)	CBM(m2)	Container	Ctn/Contai ner	Pcs/Contai ner	Gross Weingt (Ton)	Remark
UDCH305	100	11.4	9.9	335*335*380	1x1.2	20	400	40000	4800	With Gift Box